

## 1" - 40W Compression Driver

CD 78.26/N92 TW 8 Ω

Code Z009450

### GENERAL CHARACTERISTICS

Nominal Overall Diameter .....	78	mm
Nominal Voice Coil Diameter .....	25	mm
Magnet Weight .....	92	g
Flux Density.....	1.92	T
Weight.....	0.41	Kg

### THIELE-SMALL PARAMETERS

Voice Coil DC Resistance .....	$R_E$	5.30	Ω
Resonance Frequency .....	$f_s$	1500	Hz

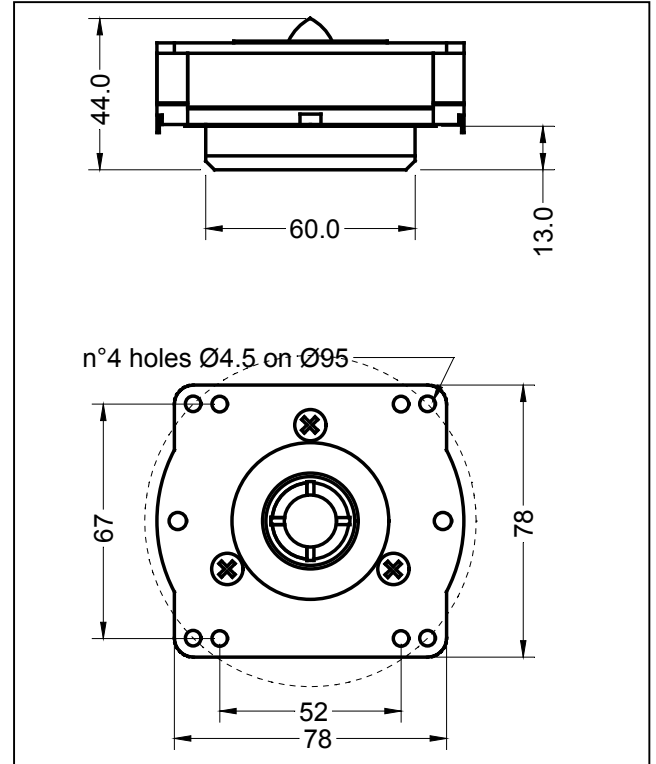
### CONSTRUCTIVE CHARACTERISTICS

Magnet.....	Neodymium
Voice Coil Winding.....	Aluminium Flat Wire
Voice Coil Former.....	Epotex
Voice Coil Winding Height.....	2.1 mm
Diaphragm .....	Tri-acetate Film
Air Gap Height.....	2 mm
Ferrofluid in Air Gap .....	No
Throat Diameter .....	25 mm
Horn.....	ABS

### NOTES

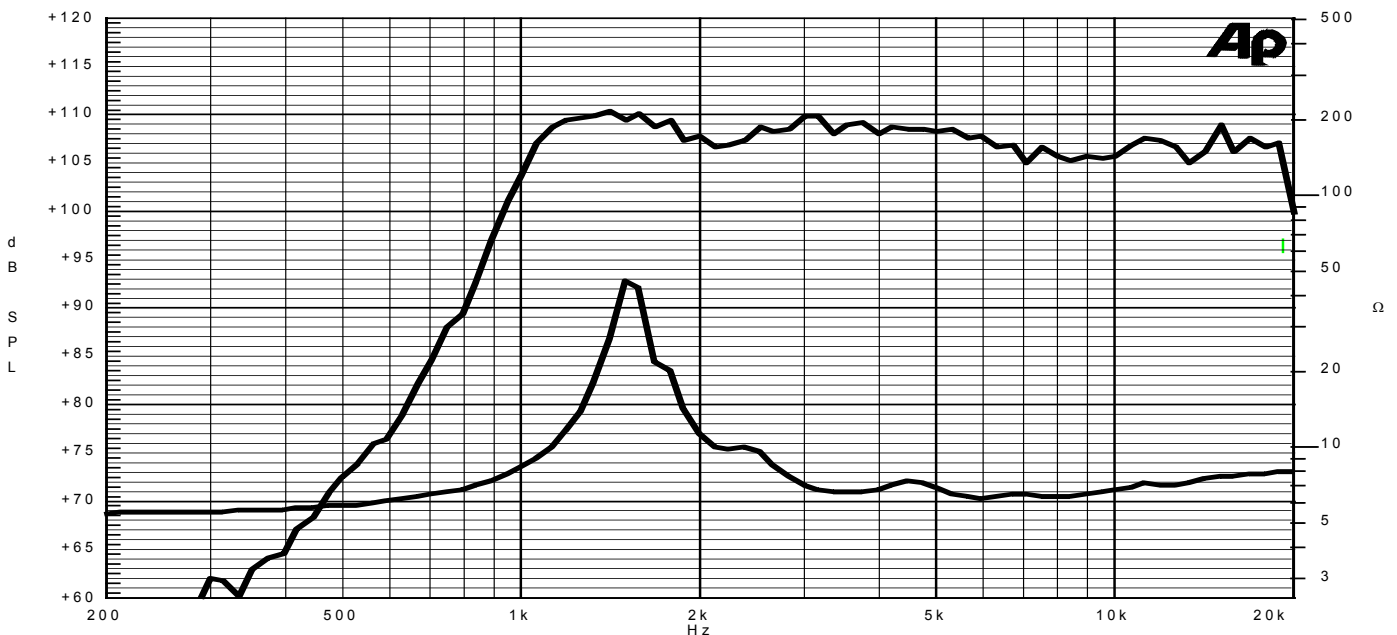
### ELECTRICAL CHARACTERISTICS

Nominal Impedance.....	8	Ω
Musical Power .....	40	W
Rated Power* .....	20	W
Sensitivity @ 1 W, 1 m .....	107.3	dB



\*rated power measured with 2 hours test with continuous pink noise signal, 6 dB crest factor, HP filter 3kHz-12dB/Oct

Free Air Frequency Response with horn @ 1 W, 1 m - Impedance (without horn)



Due to continuing product improvement, the features and the design are subject to change without notice.

27/03/06