

15" - 700W Bass Guitar Loudspeaker

15 B3 - 8 Ω

Code Z008141

GENERAL CHARACTERISTICS

Nominal Overall Diameter	388	mm
Nominal Voice Coil Diameter	75	mm
Magnet Weight	360	g
Flux Density.....	1.18	T
Weight.....	4.00	Kg

THIELE-SMALL PARAMETERS

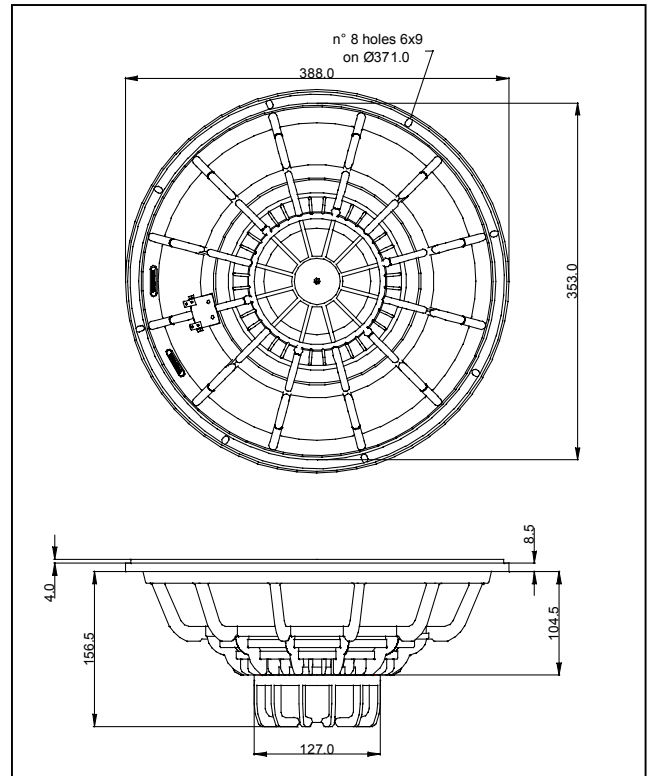
Voice Coil DC Resistance	R_E	6.01	Ω
Resonance Frequency	f_s	46.0	Hz
Mechanical Q Factor.....	Q_{MS}	7.62	
Electrical Q Factor.....	Q_{ES}	0.40	
Total Q Factor	Q_{TS}	0.38	
Mechanical Moving Mass	M_{MS}	82.0	g
Mechanical Compliance	C_{MS}	150	μm/N
Force Factor	$B \times l$	18.80	Wb/m
Equivalent Acoustic Volume.....	V_{AS}	151.0	lt.
Maximum Linear Displacement	X_{MAX}	+/-4.5	mm
Reference Efficiency	η_0	3.51	%
Diaphragm Area	S_D	855.3	cm ²
Losses Electrical Resistance.....	R_{ES}	113.6	Ω
Voice Coil Inductance @ 1kHz	L_E	0.93	mH

CONSTRUCTIVE CHARACTERISTICS

Magnet.....	Neodymium
Voice Coil Winding.....	Aluminium
Voice Coil Former.....	Kapton
Cone	Paper
Surround.....	Treated Cloth
Dust Dome	Solid Paper
Basket	Aluminium Die-Cast

ELECTRICAL CHARACTERISTICS

Nominal Impedance.....	8	Ω
Musical Power	700	W
Rated Power*	350	W
Sensitivity @ 1 W, 1 m	98.9	dB



*rated power measured with 2 hours test with pink noise signal, 6 dB crest factor, loudspeaker mounted on enclosure
Thiele-Small parameters measured with LASER system

Frequency Response on IEC Baffle (DIN 45575) @ 1 W, 1 m - Impedance

