

GENERAL CHARACTERISTICS

Nominal Overall Diameter	320	mm
Nominal Voice Coil Diameter	65	mm
Magnet Weight	220	g
Flux Density.....	1.15	T
Weight.....	2.30	Kg

THIELE-SMALL PARAMETERS

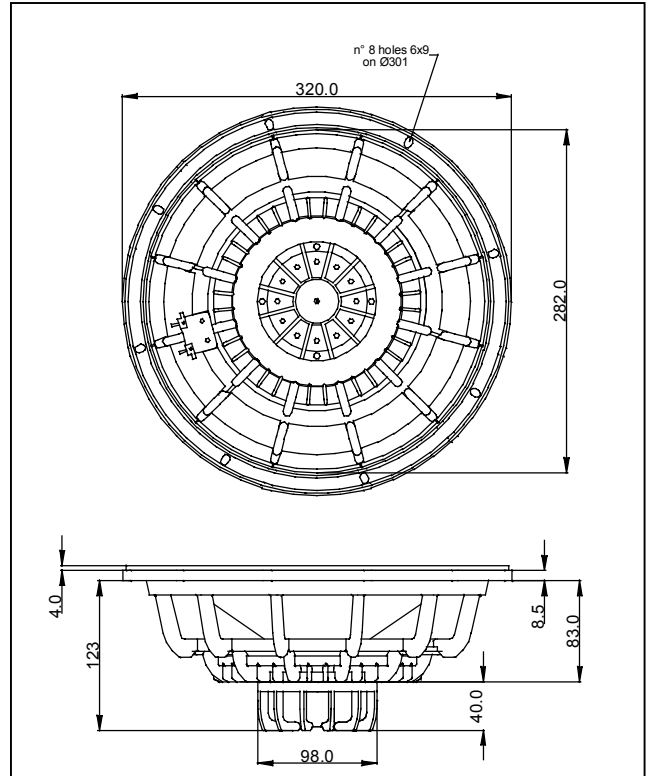
Voice Coil DC Resistance	R_E	6.70	Ω
Resonance Frequency	f_s	51.0	Hz
Mechanical Q Factor.....	Q_{MS}	2.96	
Electrical Q Factor.....	Q_{ES}	0.41	
Total Q Factor	Q_{TS}	0.36	
Mechanical Moving Mass	M_{MS}	39.4	g
Mechanical Compliance	C_{MS}	245	μm/N
Force Factor	$B \times l$	14.41	Wb/m
Equivalent Acoustic Volume.....	V_{AS}	83.0	lt.
Maximum Linear Displacement	X_{MAX}	+/-3.5	mm
Reference Efficiency	η_0	2.62	%
Diaphragm Area	S_D	530.9	cm ²
Losses Electrical Resistance.....	R_{ES}	48.6	Ω
Voice Coil Inductance @ 1kHz	L_E	0.98	mH

CONSTRUCTIVE CHARACTERISTICS

Magnet.....	Neodymium
Voice Coil Winding.....	Copper
Voice Coil Former.....	Kapton
Cone	Paper
Surround.....	Treated Cloth
Dust Dome	Solid Paper
Basket	Aluminium Die-Cast

ELECTRICAL CHARACTERISTICS

Nominal Impedance.....	8	Ω
Musical Power	500	W
Rated Power*	250	W
Sensitivity @ 1 W, 1 m	97.0	dB



*rated power measured with 2 hours test with pink noise signal, 6 dB crest factor, loudspeaker mounted on enclosure

Frequency Response on IEC Baffle (DIN 45575) @ 1 W, 1 m - Impedance

