

## 8" - 200W Professional Woofer

LP 209.38/ 810 T 8 Ω

Code Z004942

### GENERAL CHARACTERISTICS

Nominal Overall Diameter .....	209	mm
Nominal Voice Coil Diameter .....	38	mm
Magnet Weight .....	810	g
Flux Density.....	1.20	T
Weight.....	1.85	Kg

### THIELE-SMALL PARAMETERS

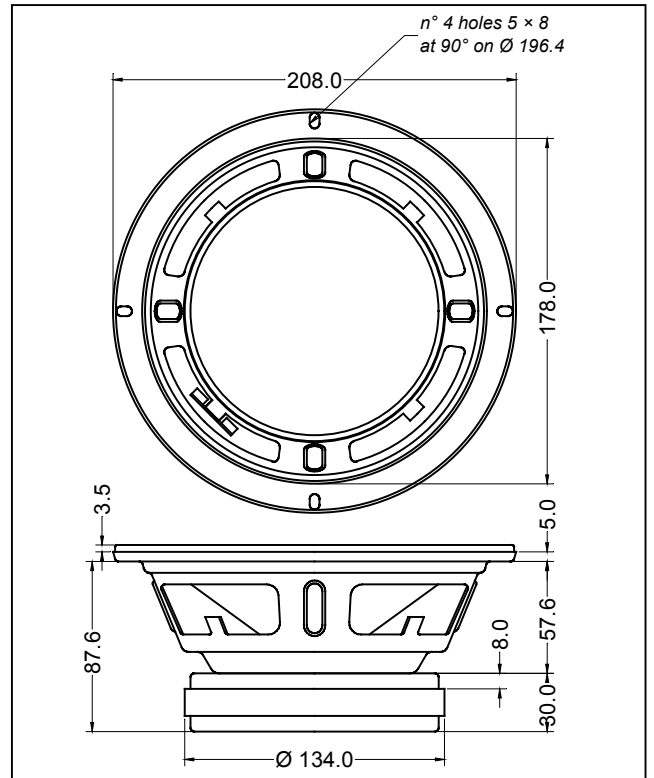
Voice Coil DC Resistance .....	$R_E$	6.46	Ω
Resonance Frequency .....	$f_s$	67.0	Hz
Mechanical Q Factor.....	$Q_{MS}$	7.53	
Electrical Q Factor.....	$Q_{ES}$	0.35	
Total Q Factor .....	$Q_{TS}$	0.33	
Mechanical Moving Mass .....	$M_{MS}$	15.8	g
Mechanical Compliance .....	$C_{MS}$	361	μm/N
Force Factor .....	$B \times l$	11.12	Wb/m
Equivalent Acoustic Volume.....	$V_{AS}$	23.2	lt.
Maximum Linear Displacement ....	$X_{MAX}$	+/-1.5	mm
Reference Efficiency .....	$\eta_0$	1.90	%
Diaphragm Area .....	$S_D$	213.8	cm <sup>2</sup>
Losses Electrical Resistance.....	$R_{ES}$	140.5	Ω
Voice Coil Inductance @ 1kHz .....	$L_E$	0.66	mH

### CONSTRUCTIVE CHARACTERISTICS

Magnet.....	Ferrite
Voice Coil Winding.....	Copper
Voice Coil Former.....	Kapton
Cone .....	Paper
Surround.....	Treated Cloth
Dust Dome .....	Solid Paper
Basket .....	Pressed Sheet Steel

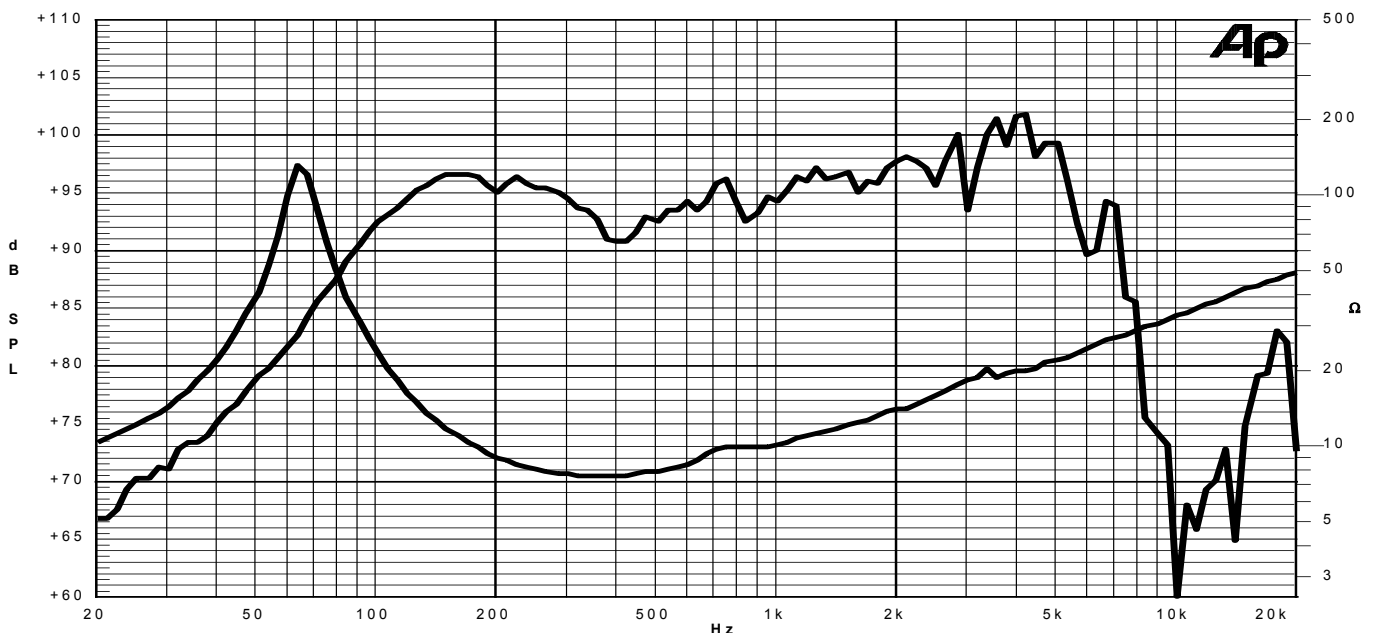
### ELECTRICAL CHARACTERISTICS

Nominal Impedance.....	8	Ω
Musical Power .....	200	W
Rated Power* .....	100	W
Sensitivity @ 1 W, 1 m .....	96.0	dB



\*rated power measured with 2 hours test with pink noise signal, 6 dB crest factor, loudspeaker mounted on enclosure

Frequency Response on IEC Baffle (DIN 45575) @ 1 W, 1 m - Impedance



Due to continuing product improvement, the features and the design are subject to change without notice.

15/03/05