

TWEETER

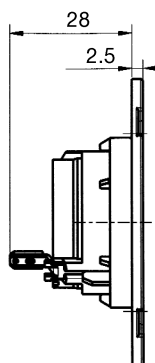
TM020J1 D04TTZ0065
102118M

102305K

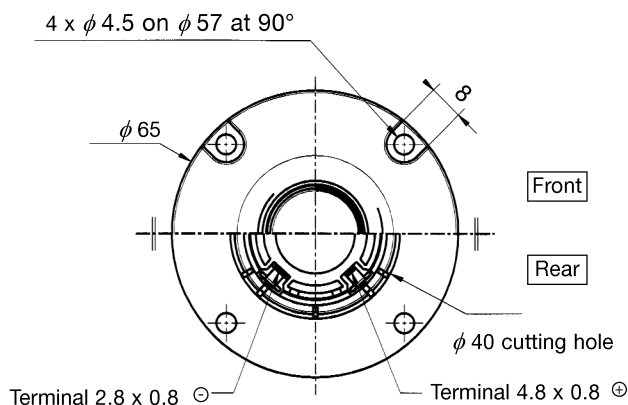
March .99

Hi Fi . Round . Textile 4 Ω

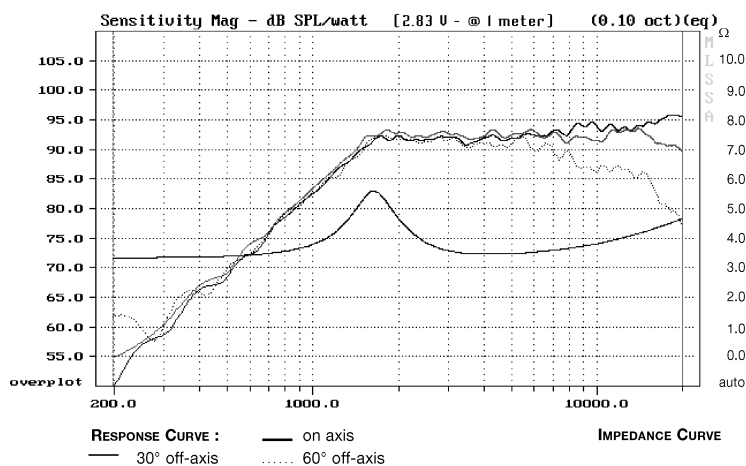
- Catenary profile textile dome - PE laminate
- Compact design for small high-end systems
- Smooth response face plate profile
- Ultra light copper clad aluminium wire
- High energy neodymium magnet (20 times ceramic magnet)
- Ferrofluid cooled voice coil (new generation : 250 cps)
- Inherently shielded magnet system for audio / video application



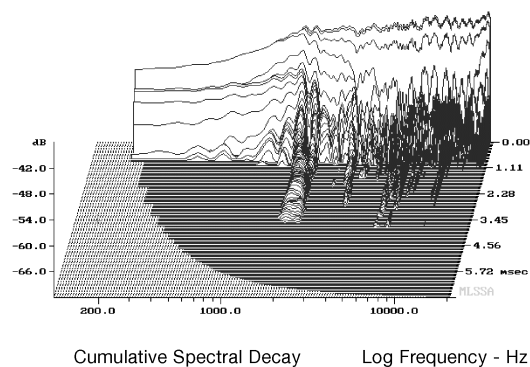
All dimensions in mm



Response Curve



Waterfall



SPECIFICATIONS

Technical characteristics	Symbol	Value	Units
PRIMARY APPLICATION			
Nominal Impedance	Z	4	Ω
Resonance Frequency	Fs	1592	Hz
Nominal Power Handling	P	40	W
Sensitivity (2,83 V - 1m)	E	93	dB
VOICE COIL			
Voice Coil Diameter	φ	20	mm
Minimum Impedance	Zmin	3,4	Ω
DC Resistance	Dcr	3	Ω
Voice Coil Inductance	Lbm	0,01	mH
Voice Coil Length	h	1,7	mm
Former	-	Aluminium	-
Number of Layers	n	2	-
Wire type	-	round	-
Wire material	-	Aluminium	-

MAGNET

Magnet Dimensions	φ x h	20 x 0,4	mm
Magnet Weight	m	8,9	kg
Flux Density	B	1	T
Force Factor	BL	-	NA ⁻¹
Height of Magnetic Gap	He	0,2	mm
Stray Flux	Fmag	-	Am ⁻¹
Linear Excursion	Xmax	± 0,15	mm

PARAMETERS

Suspension Compliance	Cms	-	μm/N
Mechanical Q Factor	Qms	2,21	-
Electrical Q Factor	Qes	2,82	-
Total Q Factor	Qts	1,24	-
Mechanical Resistance	Rms	-	kg s ⁻¹
Moving Mass	Mms	-	g
Effective Piston Area	S	3,14	cm ²
Volume Equivalent of Air at Cas	Vas	-	liters
Mass of Speaker	M	50	g

Suggested Application

Crossover Frequency	Slope	Inductance	Capacitor	Power Handling
Hz	dB / Oct.	mH	mF	W
6690	6	-	6,8	40
3980	12	0,2	8	40