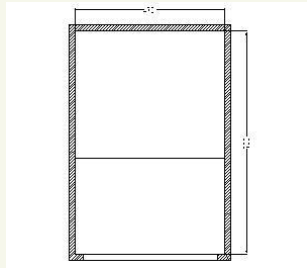
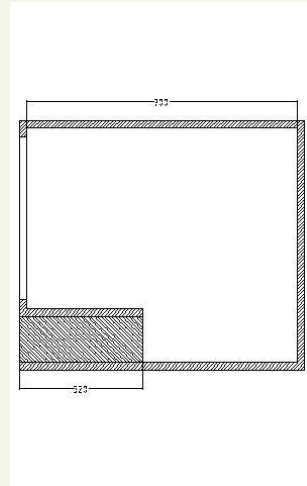
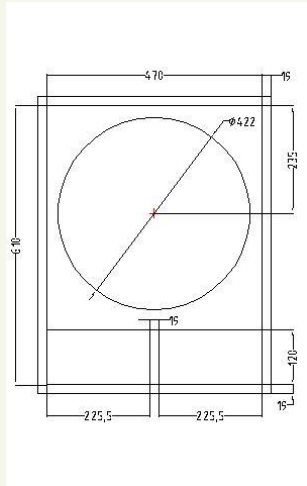




# Sub 18



## Specifications

LF Driver	18PS100 18PZB100 18TBX100 18NW100
Cabinet Type	Bass Reflex
Box Volume	183 dm <sup>3</sup>
Tuning Frequency	35 Hz
Nominal Impedance	8 ohm
LF Limit	35 Hz
Nominal Power Handling	700 W
Continuous Power Handling	1400 W
Sensitivity (1W/1m)	97 dB
Max. Peak SPL	132 dB
Max. Long Term SPL	126 dB

