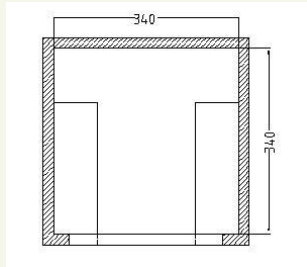
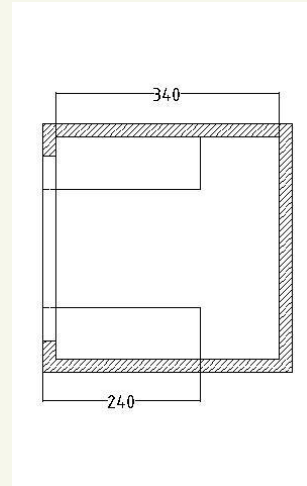
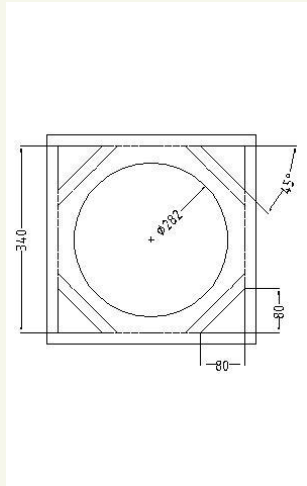




Sub 12



Specifications

| | |
|---------------------------|-----------------------------|
| LF Driver | 12PS100 12TBX100 12NW100 |
| Cabinet Type | Bass Reflex |
| Box Volume | 40 dm ³ |
| Tuning Frequency | 60 Hz |
| Nominal Impedance | 8 ohm |
| LF Limit | 55 Hz |
| Nominal Power Handling | 700 W |
| Continuous Power Handling | 1400 W |
| Sensitivity (1W/1m) | 95 dB |
| Max. Peak SPL | 126 dB |
| Max. Long Term SPL | 120 dB |

