

TECHNICAL SPECIFICATIONS

Throat diameter	36 mm. 1.4 in.
Rated impedance	8 ohms.
Minimum impedance	7.2 ohms @ 3 kHz
D.C. Resistance	5.5 ohms.
Power capacity *	70 w AES above 1 kHz
Program power	140 w above 1 kHz
Sensitivity **	108 dB 1 w @ 1m coupled to TD-385 horn
Frequency range	0.6 - 20 kHz
Recommended crossover	0.8 kHz or higher (12 dB/oct. min.)
Voice coil diameter	72.2 mm. 2.84 in.
Magnetic assembly weight	2.1 kg. 4.62 lb.
Flux density	2 T
BL factor	1 N/A



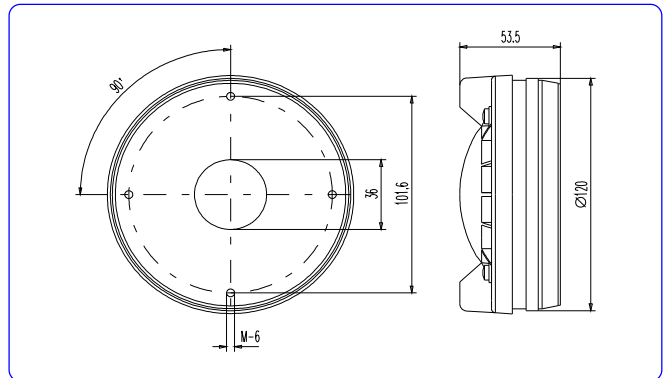
MOUNTING INFORMATION

Overall diameter	123 mm. 4.84 in.
Depth	53.5 mm. 2.11 in.
Mounting	Four M6 threaded holes, 90° apart on 101.6 mm (4 in.) diameter circle. Mounting hardware is supplied.
Net weight	2.2 kg. 4.84 lb.
Shipping weight	2.7 kg. 5.94 lb.

MATERIALS

- **Diaphragm:** titanium.
- **Voice coil:** edgewound aluminium ribbon.
- **Voice coil former:** polyimide.
- **Magnet:** neodymium.

DIMENSION DRAWINGS



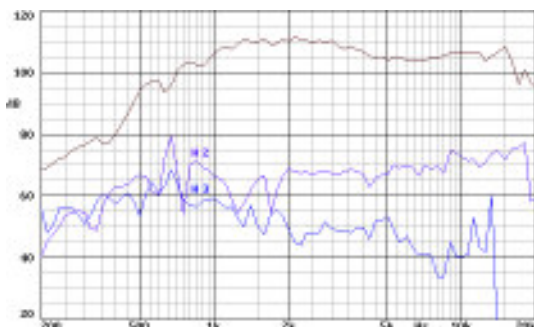
Notes:

*The power capacity is determined according to AES2-1984 (r2003) standard.
Program power is defined as the transducer's ability to handle normal music program material.
**Sensitivity was measured at 1 m distance, on axis, with 1 w input, averaged in the range 1-7 kHz.

GENERAL DESCRIPTION

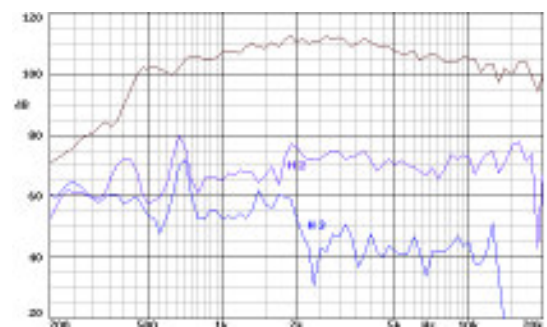
This 2" professional high quality compression driver features a composite diaphragm assembly. The mylar surround provides damping and avoids typical resonant peaks of metal surrounds. By the other hand, the pure titanium dome exhibits the unique mechanical properties of this material. The diaphragm is attached to a 3" edgewound aluminium ribbon voice coil, providing exceptional high acoustic pressure over an extremely wide frequency range. Moreover, the neodymium magnet reduces the net weight around a 50% with regard to a ferrite model. Finally, the use of a rim centred diaphragm allows field replacement without soldering.

FREQUENCY RESPONSE AND DISTORTION CURVES



Note: on axis frequency response measured coupled to TD-385 horn in anechoic chamber, 1w @ 1m.

FREQUENCY RESPONSE AND DISTORTION CURVES



Note: on axis frequency response measured coupled to TD-565 horn in anechoic chamber, 1w @ 1m.