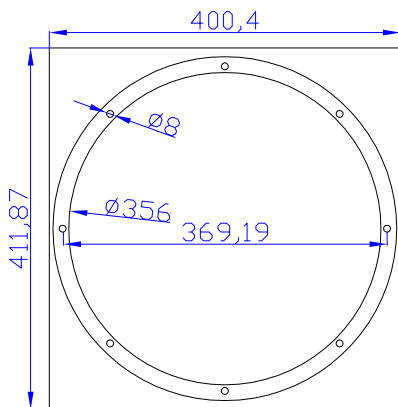
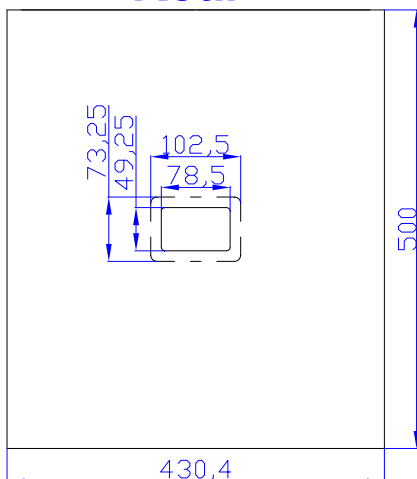


Technical Specifications

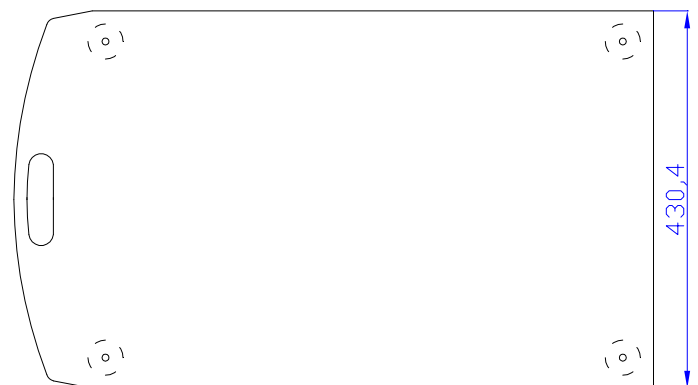
Acoustic cabinet:	SB15
Description:	Bass reinforcement. 15" Subwoofer
Power AES:	1.200 W.
Power Program:	2.400 W.
Sensitivity 2,83v @ 1m:	100 dB.
Max. SPL continuous:	131 dB.
Max. SPL peak:	137 dB.
Frequency response:	35 - 200 Hz.
Bass Loudspeakers:	15P1200ND



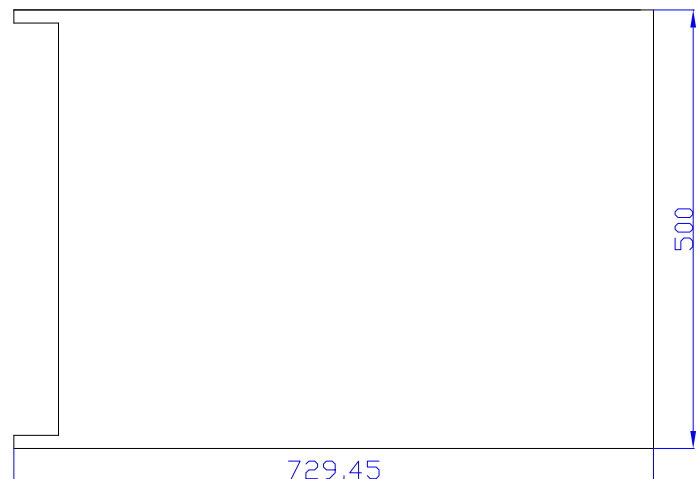
Rear



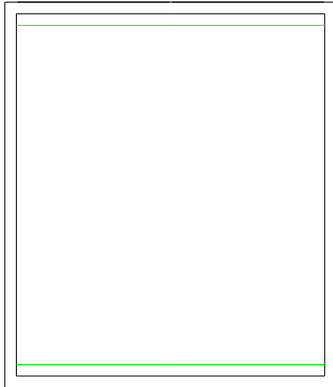
Base



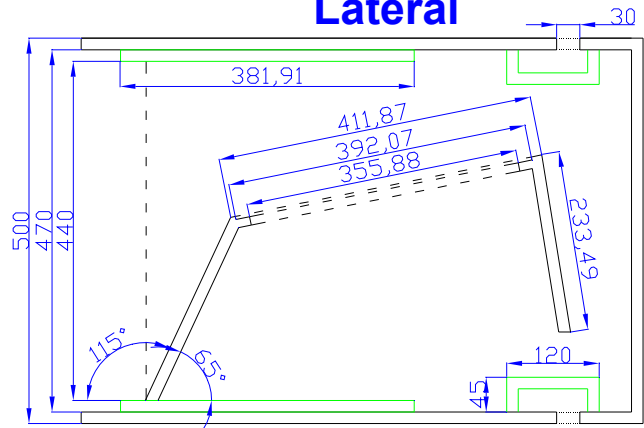
Lateral



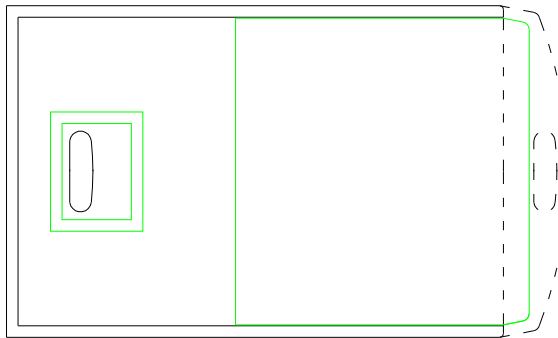
Front



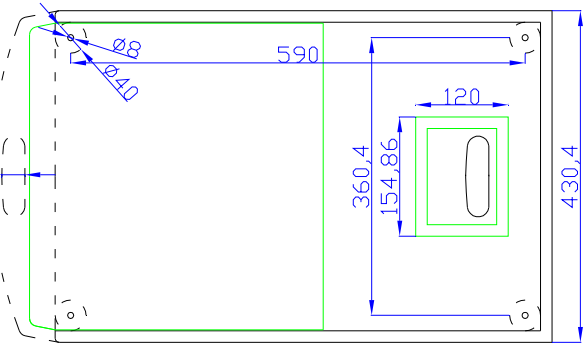
Lateral



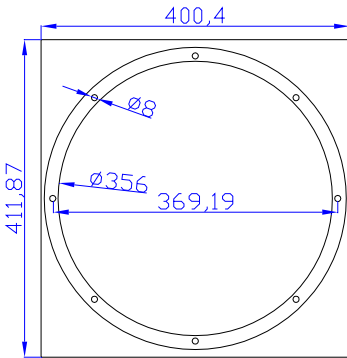
Central



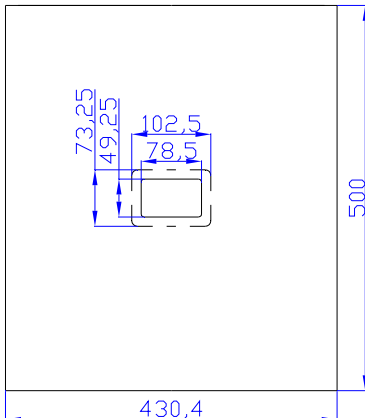
Base



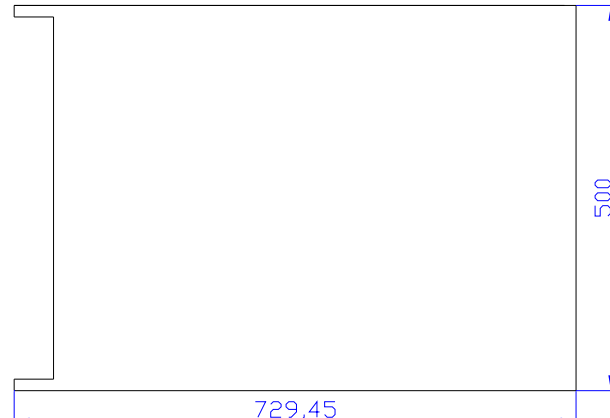
Base



Rear



Lateral



15P1200Nd

KEY FEATURES

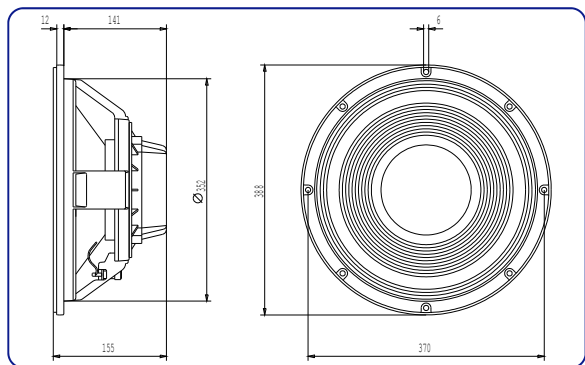
- Real 1200 W AES power handling
- Sensitivity: 97 dB @ 2.83V
- 4" Duo Technology voice coil
- Forced air convection circuit for low power compression
- Extended controlled displacement: $X_{max} \pm 9.5$ mm.
- Massive mechanical displacement capability: 52 mm p-p



TECHNICAL SPECIFICATIONS

- Nominal diameter 380 mm. 15 in.
- Rated impedance 8 ohms
- Minimum impedance 6.1 ohms
- Power capacity* 1200 w AES
- Program power 2400 w
- Sensitivity 97 dB 2.83v @ 1m @ 2π
- Frequency range 30 - 2000 Hz
- Voice coil diameter 100 mm. 4 in.
- Magnetic assembly weight 6 kg. 13.2 lb.
- BL factor 26.3 N / A
- Voice coil length 25 mm
- Air gap height 14 mm
- X damage (peak to peak) 52 mm

DIMENSION DRAWINGS



Notes:
 *The power capacity is determined according to AES2-1984 (r2003) standard.
 Program power is defined as the transducer's ability to handle normal music program material.

SB15/1 Presets

