

3" - PAPER CONE DRIVER - 80 mm

CLASSIC SERIES

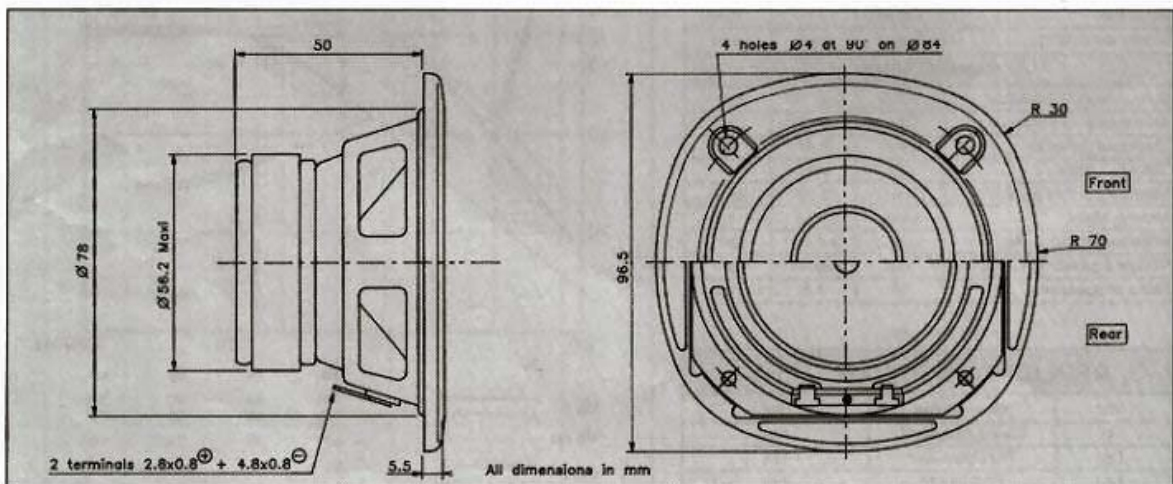
High loss-High compliance rubber surround
Coated paper cone
Stamped steel chassis
High temperature voice coil
Aluminium voice coil former
Extended bass response (Fs : 80 Hz)

Suspension caoutchouc amortissant h^e compliance
Cone papier traité
Chassis acier embouti
Bobine haute température
Support bobine aluminium
Réponse étendue dans le grave (Fs : 80 Hz)



The compact size, low resonance and long throw capabilities of this driver makes it ideal for use in mini-enclosures, satellites systems or as full range driver of high quality. It can also be used as a compact midrange. Featuring a state of the art curvilinear cone, which is critically damped and coupled to a high-loss rubber surround. Special consideration has been taken to ensure a smooth response and roll-off frequency. A newly designed cosmetic ring helps to reduce edge diffraction. The high temperature, 3/4" voice coil ensures good power handling. The "Suggested applications" charts indicate various driver loads. The response curves shown on the diagram indicate the predicted low end response of the driver in the suggested box volume (Vb) with suggested port (Dp-Lp).

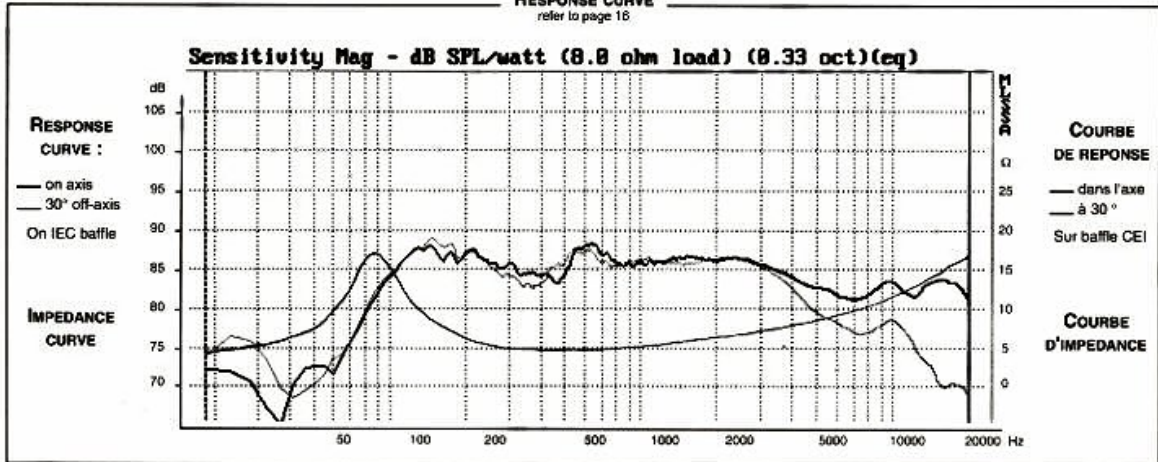
Ce Haut-Parleur très compact combine une bande passante étendue à de réelles possibilités de longues excursions. La résonance extrêmement basse pour sa taille le destine plus particulièrement à de petites enceintes, satellites pour triphonique ou comme médium compact. Il est doté d'un cône en papier traité à profil curviligne associé à une suspension en caoutchouc amortissant haute compliance. Un soin particulier a été apporté à cet ensemble afin d'assurer une réponse en fréquence linéaire ainsi qu'une coupure haute naturelle. Une nouvelle esthétique est également proposée par la présence d'une couronne décorative. La bobine haute température sur support aluminium autorise une puissance admissible importante. Le tableau "Suggested applications" indique différents types de charge. Les courbes publiées correspondent à la réponse dans le grave pour un volume (Vb) et une dimension d'évent donnée (Vp-Lp).



HT080G0 F08PGK2023

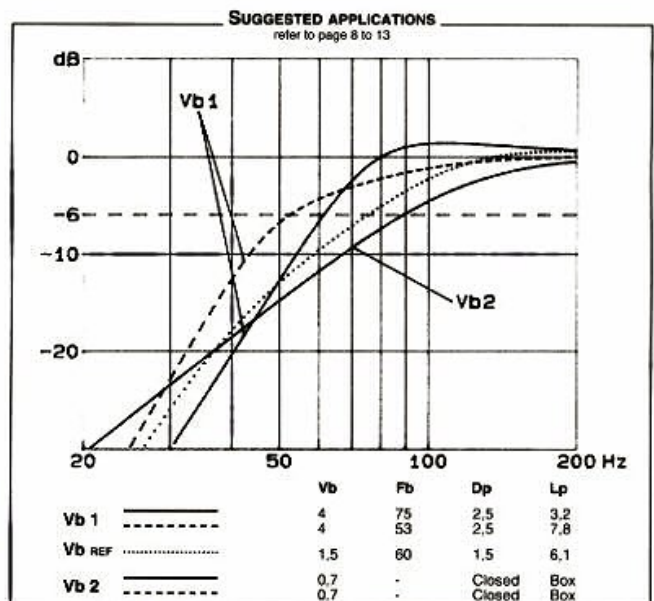
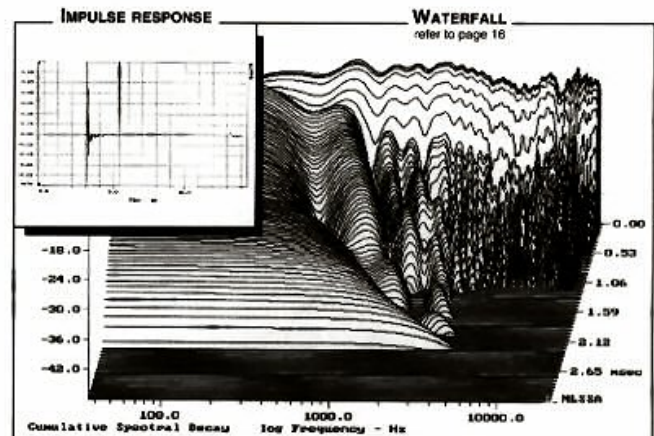
101194P

RESPONSE CURVE
refer to page 16



SPECIFICATIONS			
Technical Characteristics	Symbol	Value	Units
PRIMARY APPLICATION			
Nominal Impedance	Z	8	Ω
Resonance Frequency	Fs	80	Hz
Nominal Power Handling	P	20	W
Sensitivity	E	86	dB
VOICE COIL			
Voice coil diameter	Ø	20	mm
Minimum Impedance	Zmin	5	Ω
DC Resistance	Re	5	Ω
Voice Coil Inductance	Lbm	0,21	mH
Voice coil Length	h	7,2	mm
Former	-	Aluminium	-
Number of layers	n	2	-
MAGNET			
Magnet dimensions	Ø x h	55x12	mm
Magnet weight	m	0,113	kg
Flux density	B	0,98	T
Force factor	BL	3	NA'
Height of magnetic gap	He	4	mm
Stray flux	Fmag	-	Am'
Linear excursion	Xmax	±1,5	mm
PARAMETERS			
Suspension Compliance	Cms	1,6 · 10 ⁻³	mN'
Mechanical Q Factor	Qms	1,96	-
Electrical Q Factor	Qes	0,73	-
Total Q Factor	Qts	0,53	-
Mechanical Resistance	Rms	0,66	kg s ⁻¹
Moving Mass	Mms	2,7 · 10 ⁻³	kg
Effective Piston Area	S	2,9 · 10 ⁻²	m ²
Volume Equivalent of Air at Cas	Vas	1,9 · 10 ⁻³	m ³
Mass of speaker	M	0,33	kg

APPLICATION PARAMETERS		
Vb	Box volume	dm ³
Fb	Tuning frequency	Hz
Dp	Port diameter	cm
Lp	Port length	cm



Please refer to method of measurement and measurement conditions pages 15 to 19.
Audax may, without prior notification modify the specifications on its products further to research and development requirements.

