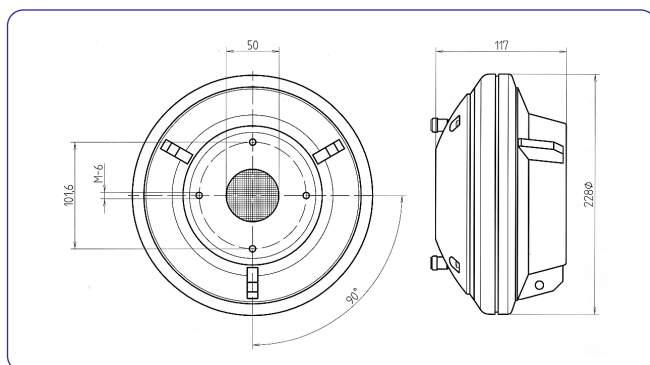


TECHNICAL SPECIFICATIONS

Throat diameter	49 mm. 2 in.
Rated impedance	8 ohms.
Minimum impedance	7.5 ohms. @ 1.5 kHz
D.C. Resistance	5.6 ohms.
Power Capacity*	65 w AES above 0.5 kHz 130 w AES above 1.5 kHz
Program Power	130 w above 0.5 kHz 260 w above 1.5 kHz
Sensitivity**	112 dB 1w @ 1m coupled to TD460/N horn
Frequency range	0.5 - 20 kHz
Recom. crossover	500 Hz or higher, 12 dB/oct.min.
Voice coil diameter	100 mm. 4 in.
Magnetic assembly weight	8.9 kg. 19.6 lb.
Flux density	1.75 T
BL factor	15 N/A



DIMENSION DRAWINGS



MOUNTING INFORMATION

Overall diameter	228 mm. 9 in.
Depth	117 mm. 4.6 in.
Mounting	Four M6 threaded holes, 90° apart on 101.6 mm (4 in.) diameter circle. Mounting hardware is supplied.
Net weight	10.3 kg. 22.7 lb.
Shipping weight	11 kg. 22.4 lb.

MATERIALS

- **Diaphragm:** Titanium
- **Voice coil:** Edgewound aluminium ribbon
- **Voice coil former:** Kapton
- **Magnet:** Ferrite

Notes:

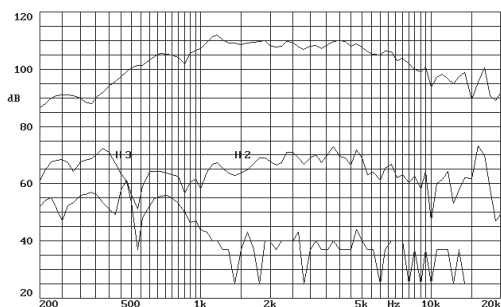
*The power capacity is determined according to AES2-1984 (r2003) standard. Program power is defined as the transducer's ability to handle normal music program material.

**Sensitivity was measured at 1 m distance, on axis, with 1 w input, averaged in the range 1-7 kHz

GENERAL DESCRIPTION

The CP 800/Ti is a high performance compression driver capable of high acoustic output over a wide frequency range. It features an integral pure titanium dome and surround, a precision lightweight voice coil made from flat aluminium wire, wound on high temperature polyimide former and a massive, powerful magnet structure, providing high energy and the ability to handle extremely high power levels over extended periods of time.

FREQUENCY RESPONSE AND DISTORTION CURVES



Note: on axis frequency response measured coupled to TD590 horn in anechoic chamber, 1w @ 1m

FREE AIR IMPEDANCE CURVE

