

TECHNICAL SPECIFICATIONS

Throat diameter	49 mm. 2 in.
Rated impedance	8 ohms
Minimum impedance	7.4 ohms @ 3.5 kHz
D.C. Resistance	5.5 ohms
Power capacity *	90 w AES above 1 kHz
Program power	180 w above 1 kHz
Sensitivity **	110 dB 1 w @ 1m coupled to TD-400N horn
Frequency range	0.6 - 20 kHz
Recommended crossover	800 Hz or higher (12 dB/oct. min.)
Voice coil diameter	72.2 mm. 2.87 in.
Magnetic assembly weight	6.5 kg. 14.33 lb.
Flux density	1.875 T
BL factor	10 N/A

MOUNTING INFORMATION

Overall diameter	192 mm. 7.56 in.
Depth	88 mm. 3.46 in.
Mounting	Four M6 threaded holes, 90° apart on 101.6 mm (4 in.) diameter circle. Mounting hardware is supplied.
Net weight	7.05 kg. 15.51 lb.
Shipping weight	7.3 kg. 16.06 lb.

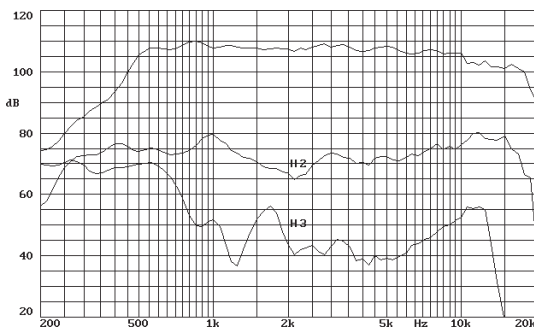
MATERIALS

- **Diaphragm:** titanium.
- **Voice coil:** edgewound aluminium ribbon wire.
- **Voice coil former:** kapton.
- **Magnet:** ferrite.

GENERAL DESCRIPTION

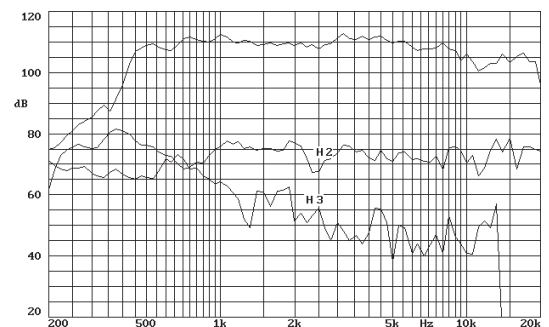
This high frequency compression driver features a composite structure diaphragm. It has a Mylar surround to provide damping and avoid resonant peaks typical of metal surrounds. The dome is made of pure titanium, with its unique mechanical properties. This diaphragm combined with a new optimized phasing-plug and a copper ring, results in an extremely smoothed and extended high frequency response.

FREQUENCY RESPONSE AND DISTORTION CURVES



Note: on axis frequency response measured coupled to TD-400N horn in anechoic chamber, 1w @ 1m.

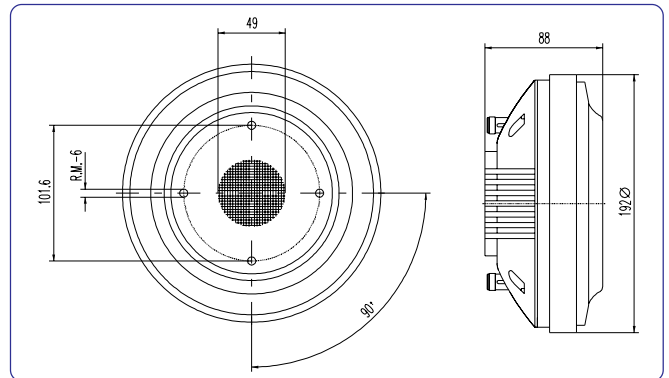
FREQUENCY RESPONSE AND DISTORTION CURVES



Note: on axis frequency response measured coupled to TD-460N horn in anechoic chamber, 1w @ 1m.



DIMENSION DRAWINGS



Notes:

- *The power capacity is determined according to AES2-1984 (r2003) standard.
- Program power is defined as the transducer's ability to handle normal music program material.
- **Sensitivity was measured at 1 m distance, on axis, with 1 w input, averaged in the range 1-7 kHz.