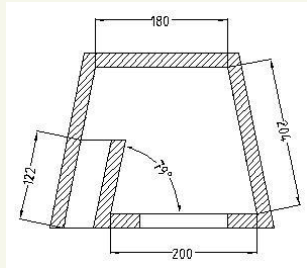
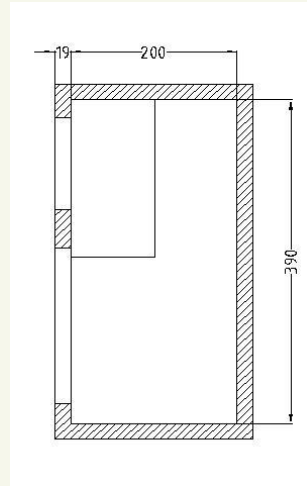
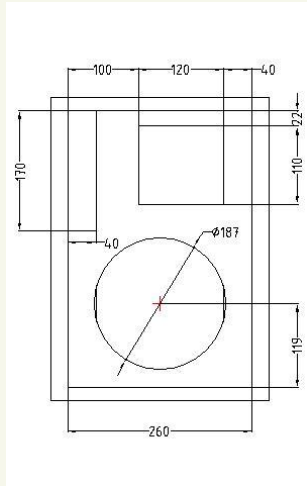




# Box 8



## Specifications

LF Driver	8PS21
HF Driver	DE12
Horn	ME15
Cabinet Type	Bass Reflex
Box Volume	16 dm <sup>3</sup>
Tuning Frequency	75 Hz
Crossover Frequency	2.5 kHz
Nominal Impedance	8 ohm
Minimum Impedance	7 ohm
Frequency Range	75 - 20000 Hz
Nominal Power Handling	150 W
Continuous Power Handling	300 W
Sensitivity (1W/1m)	92.5 dB
Max. Peak SPL	123 dB
Max. Long Term SPL	117 dB

