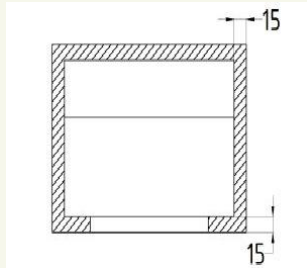
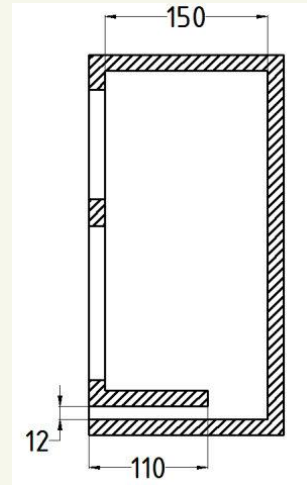
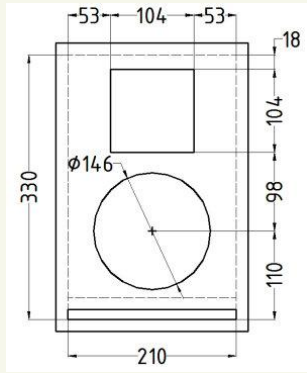




Box 6



Specifications

LF Driver	6NDL38
HF Driver	DE10
Horn	ME10
Cabinet Type	Bass Reflex
Box Volume	10 dm ³
Tuning Frequency	70 Hz
Crossover Frequency	2.5 kHz
Nominal Impedance	8 ohm
Minimum Impedance	6 ohm
Frequency Range	80 - 18000 Hz
Nominal Power Handling	150 W
Continuous Power Handling	300 W
Sensitivity (1W/1m)	90 dB
Max. Peak SPL	118 dB
Max. Long Term SPL	112 dB

