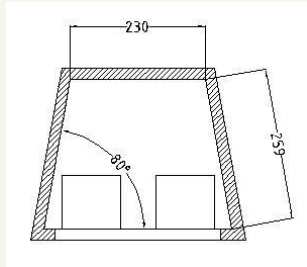
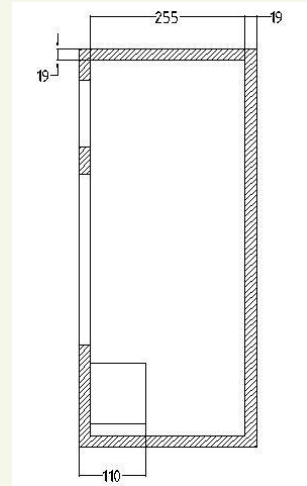
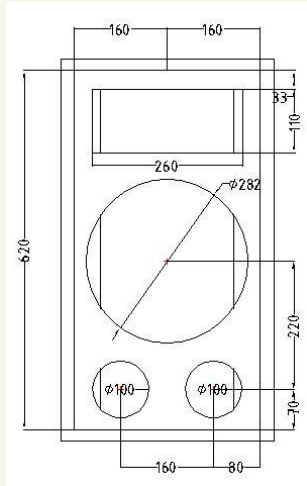




Box 12



Specifications

LF Driver	12PLB76
HF Driver	DE200
Horn	ME45
Cabinet Type	Bass Reflex
Box Volume	42 dm ³
Tuning Frequency	65 Hz
Crossover Frequency	1.5 kHz
Nominal Impedance	8 ohm
Minimum Impedance	6.5 ohm
Frequency Range	65 - 18000 Hz
Nominal Power Handling	250 W
Continuous Power Handling	500 W
Sensitivity (1W/1m)	98.5 dB
Max. Peak SPL	131 dB
Max. Long Term SPL	125 dB

