

## 12"- 500W Professional Woofer

LP 318.65/ 1450 TP 8 Ω

Code Z007950

### GENERAL CHARACTERISTICS

|                                   |      |    |
|-----------------------------------|------|----|
| Nominal Overall Diameter .....    | 318  | mm |
| Nominal Voice Coil Diameter ..... | 65   | mm |
| Magnet Weight .....               | 1450 | g  |
| Flux Density.....                 | 1.15 | T  |
| Weight.....                       | 4.80 | Kg |

### THIELE-SMALL PARAMETERS

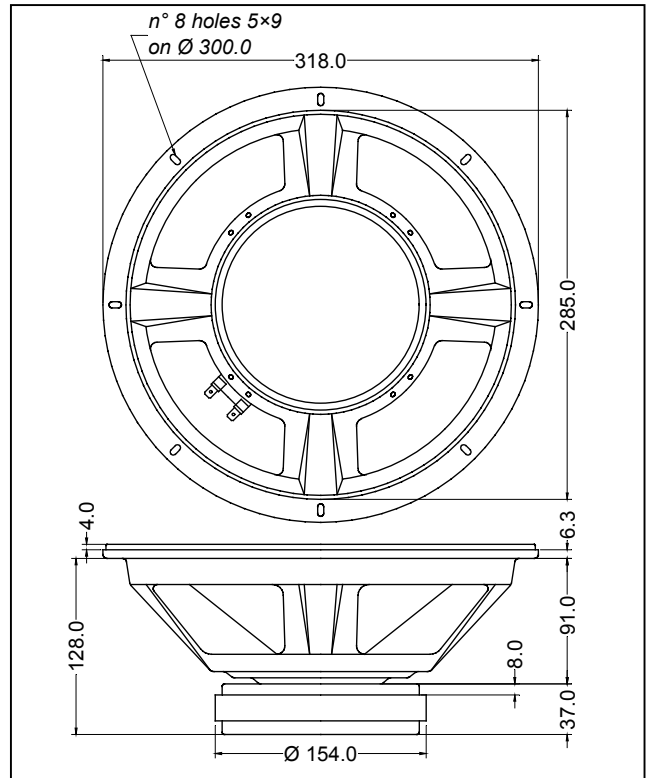
|                                    |              |        |                 |
|------------------------------------|--------------|--------|-----------------|
| Voice Coil DC Resistance .....     | $R_E$        | 5.97   | Ω               |
| Resonance Frequency .....          | $f_s$        | 49.7   | Hz              |
| Mechanical Q Factor.....           | $Q_{MS}$     | 14.17  |                 |
| Electrical Q Factor.....           | $Q_{ES}$     | 0.30   |                 |
| Total Q Factor .....               | $Q_{TS}$     | 0.29   |                 |
| Mechanical Moving Mass .....       | $M_{MS}$     | 38.2   | g               |
| Mechanical Compliance .....        | $C_{MS}$     | 268    | μm/N            |
| Force Factor .....                 | $B \times l$ | 15.51  | Wb/m            |
| Equivalent Acoustic Volume.....    | $V_{AS}$     | 90.7   | lt.             |
| Maximum Linear Displacement ....   | $X_{MAX}$    | +/-2.0 | mm              |
| Reference Efficiency .....         | $\eta_0$     | 3.62   | %               |
| Diaphragm Area .....               | $S_D$        | 490.9  | cm <sup>2</sup> |
| Losses Electrical Resistance.....  | $R_{ES}$     | 285.1  | Ω               |
| Voice Coil Inductance @ 1kHz ..... | $L_E$        | 0.96   | mH              |

### CONSTRUCTIVE CHARACTERISTICS

|                         |                     |
|-------------------------|---------------------|
| Magnet.....             | Ferrite             |
| Voice Coil Winding..... | Copper              |
| Voice Coil Former.....  | Kapton              |
| Cone .....              | Paper               |
| Surround.....           | Treated Cloth       |
| Dust Dome .....         | Solid Paper         |
| Basket .....            | Pressed Sheet Steel |

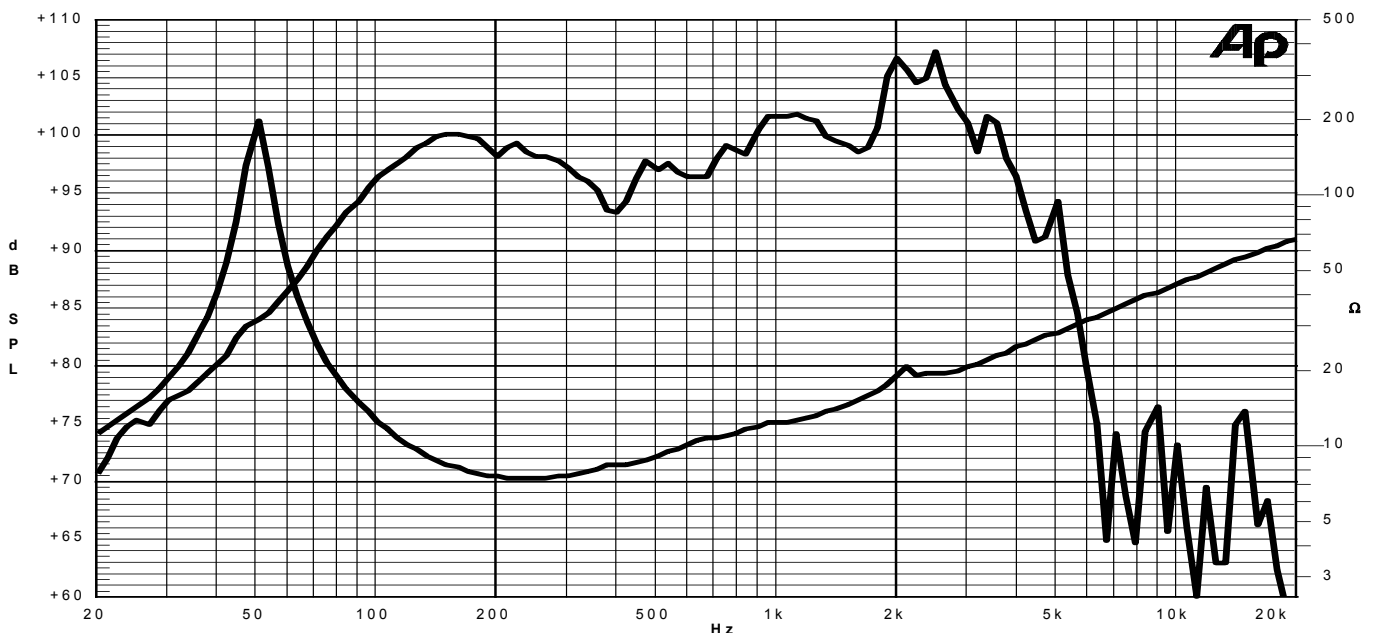
### ELECTRICAL CHARACTERISTICS

|                              |      |    |
|------------------------------|------|----|
| Nominal Impedance.....       | 8    | Ω  |
| Musical Power .....          | 500  | W  |
| Rated Power* .....           | 250  | W  |
| Sensitivity @ 1 W, 1 m ..... | 98.9 | dB |



\*rated power measured with 2 hours test with pink noise signal, 6 dB crest factor, loudspeaker mounted on enclosure

Frequency Response on IEC Baffle (DIN 45575) @ 1 W, 1 m - Impedance



Due to continuing product improvement, the features and the design are subject to change without notice.

11/03/05