

8" - 120W Professional Woofer

LP 208.25/ 380 W 8 Ω

Code Z004290

GENERAL CHARACTERISTICS

Nominal Overall Diameter	208	mm
Nominal Voice Coil Diameter	25	mm
Magnet Weight	380	g
Flux Density.....	0.95	T
Weight.....	1.09	Kg

THIELE-SMALL PARAMETERS

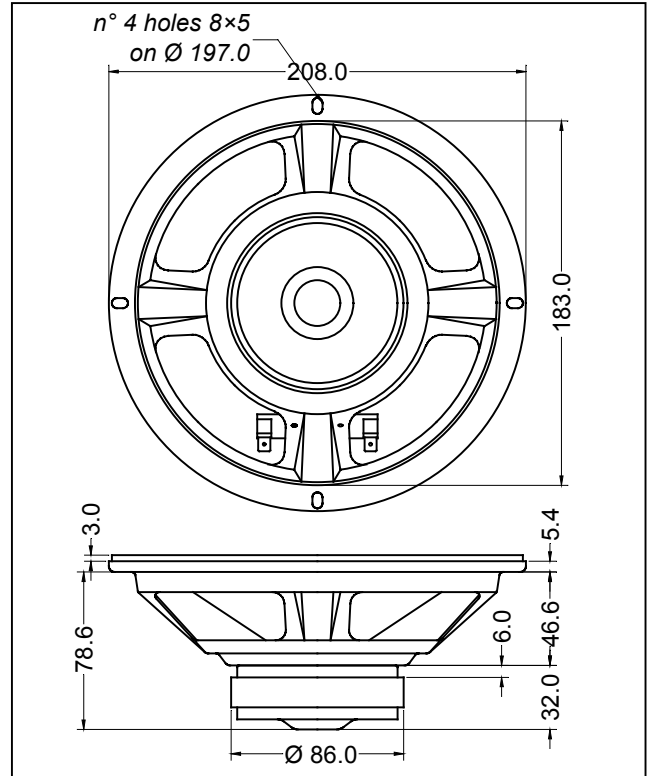
Voice Coil DC Resistance	R_E	6.23	Ω
Resonance Frequency	f_s	49.8	Hz
Mechanical Q Factor.....	Q_{MS}	5.20	
Electrical Q Factor.....	Q_{ES}	0.51	
Total Q Factor	Q_{TS}	0.47	
Mechanical Moving Mass	M_{MS}	22.1	g
Mechanical Compliance	C_{MS}	464	μm/N
Force Factor	$B \times l$	9.15	Wb/m
Equivalent Acoustic Volume.....	V_{AS}	29.8	lt.
Maximum Linear Displacement	X_{MAX}	+/-5.0	mm
Reference Efficiency	η_0	0.69	%
Diaphragm Area	S_D	213.8	cm ²
Losses Electrical Resistance.....	R_{ES}	63.1	Ω
Voice Coil Inductance @ 1kHz	L_E	1.80	mH

CONSTRUCTIVE CHARACTERISTICS

Magnet.....	Ferrite
Voice Coil Winding.....	Copper
Voice Coil Former.....	Epotex
Cone	Paper
Surround.....	Rubber
Dust Dome	Non Treated Cloth
Basket	Pressed Sheet Steel

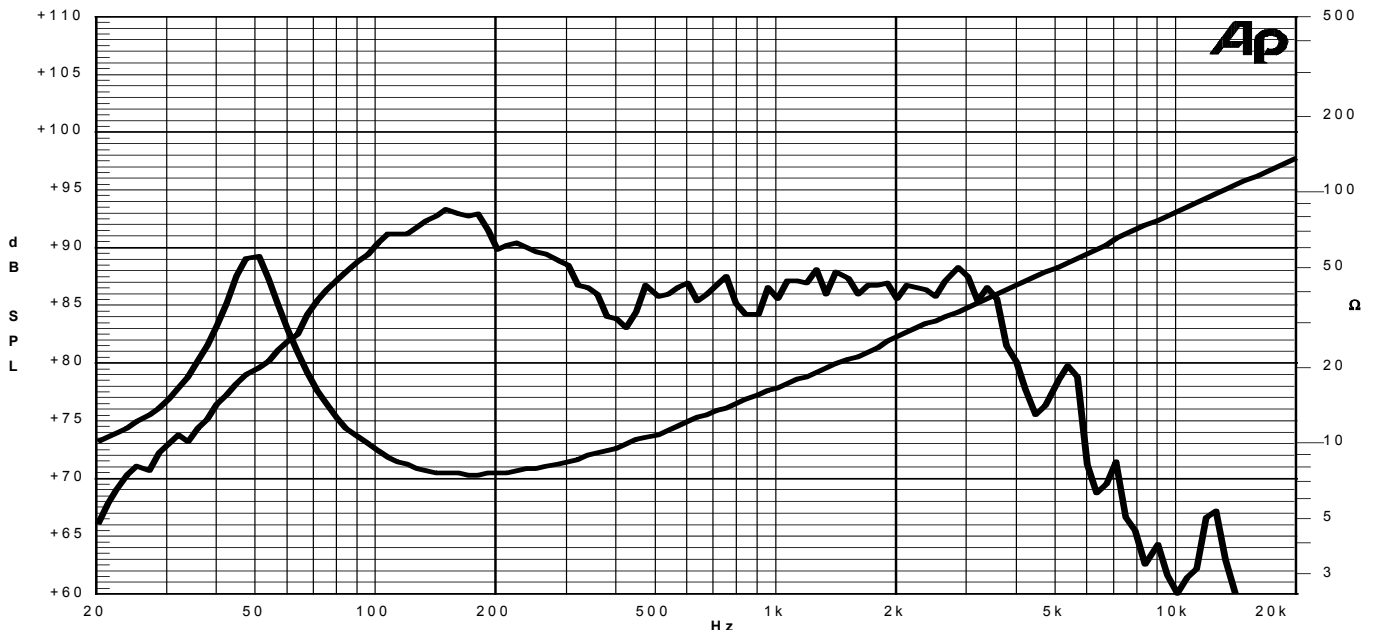
ELECTRICAL CHARACTERISTICS

Nominal Impedance.....	8	Ω
Musical Power	120	W
Rated Power*	60	W
Sensitivity @ 1 W, 1 m	90.7	dB



*rated power measured with 2 hours test with pink noise signal, 6 dB crest factor, loudspeaker mounted on enclosure

Frequency Response on IEC Baffle (DIN 45575) @ 1 W, 1 m - Impedance



Due to continuing product improvement, the features and the design are subject to change without notice.

15/03/05