

5"- 120W Sub-Woofer

LP 129.25/ 380 SW 4 + 4 Ω

Code Z002350

GENERAL CHARACTERISTICS

Nominal Overall Diameter	129	mm
Nominal Voice Coil Diameter	25	mm
Magnet Weight	380	g
Flux Density.....	0.95	T
Weight	1	Kg

THIELE-SMALL PARAMETERS - V.C. IN PARALLEL

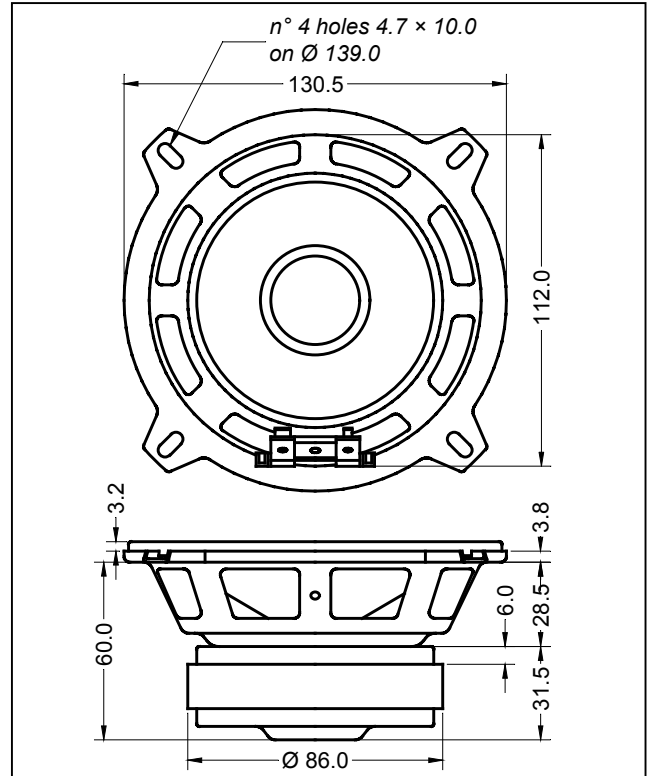
Voice Coil DC Resistance	R_E	2x3	Ω
Resonance Frequency	f_s	63.0	Hz
Mechanical Q Factor.....	Q_{MS}	8.32	
Electrical Q Factor.....	Q_{ES}	0.33	
Total Q Factor	Q_{TS}	0.32	
Mechanical Moving Mass	M_{MS}	12.2	g
Mechanical Compliance	C_{MS}	528	μm/N
Force Factor	$B \times l$	4.80	Wb/m
Equivalent Acoustic Volume.....	V_{AS}	4.6	lt.
Maximum Linear Displacement	X_{MAX}	+/-3.5	mm
Reference Efficiency	η_0	0.33	%
Diaphragm Area	S_D	78.5	cm ²
Losses Electrical Resistance.....	R_{ES}	40.0	Ω
Voice Coil Inductance @ 1kHz	L_E	0.40	mH

CONSTRUCTIVE CHARACTERISTICS

Magnet.....	Ferrite
Voice Coil Winding.....	Copper
Voice Coil Former.....	Epotex
Cone	Paper
Surround.....	Rubber
Dust Dome	Non Treated Cloth
Basket	Pressed Sheet Steel

ELECTRICAL CHARACTERISTICS

Nominal Impedance.....	4 + 4	Ω
Musical Power	120	W
Rated Power*	60	W
Sensitivity @ 1 W, 1 m	91.3	dB



*rated power measured with 2 hours test with pink noise signal, 6 dB crest factor, loudspeaker mounted on enclosure

Frequency Response on IEC Baffle (DIN 45575) @ 1 W + 1 W, 1 m V.C. in parallel - Impedance (only one channel)

