

4" - 120W Extended Range

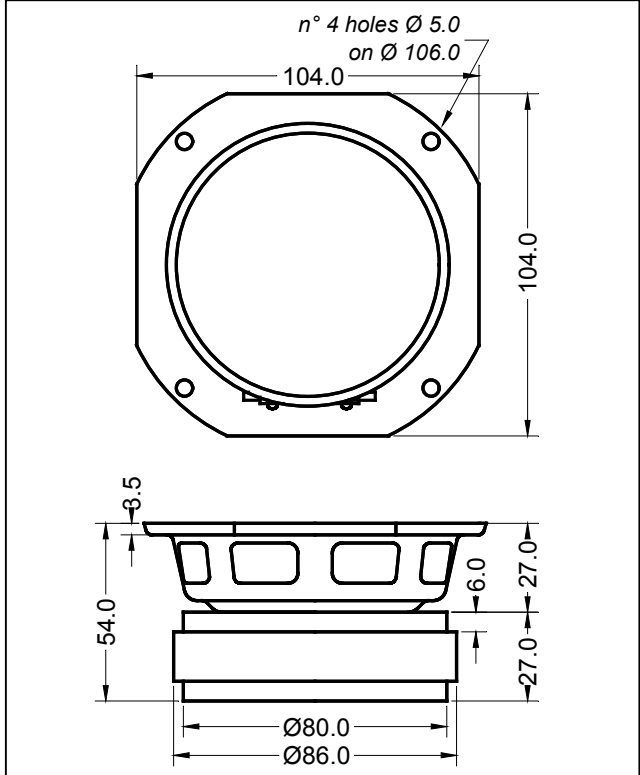
LP 104.25/ 380 FV PP 8 Ω

Code Z001803

GENERAL CHARACTERISTICS		
Nominal Overall Diameter	104	mm
Nominal Voice Coil Diameter	25	mm
Magnet Weight	380	g
Flux Density.....	1.10	T
Weight.....	0.95	Kg

ELECTRICAL CHARACTERISTICS		
Nominal Impedance.....	8	Ω
Musical Power	120	W
Rated Power*	60	W
Sensitivity @ 1 W, 1 m	88.3	dB

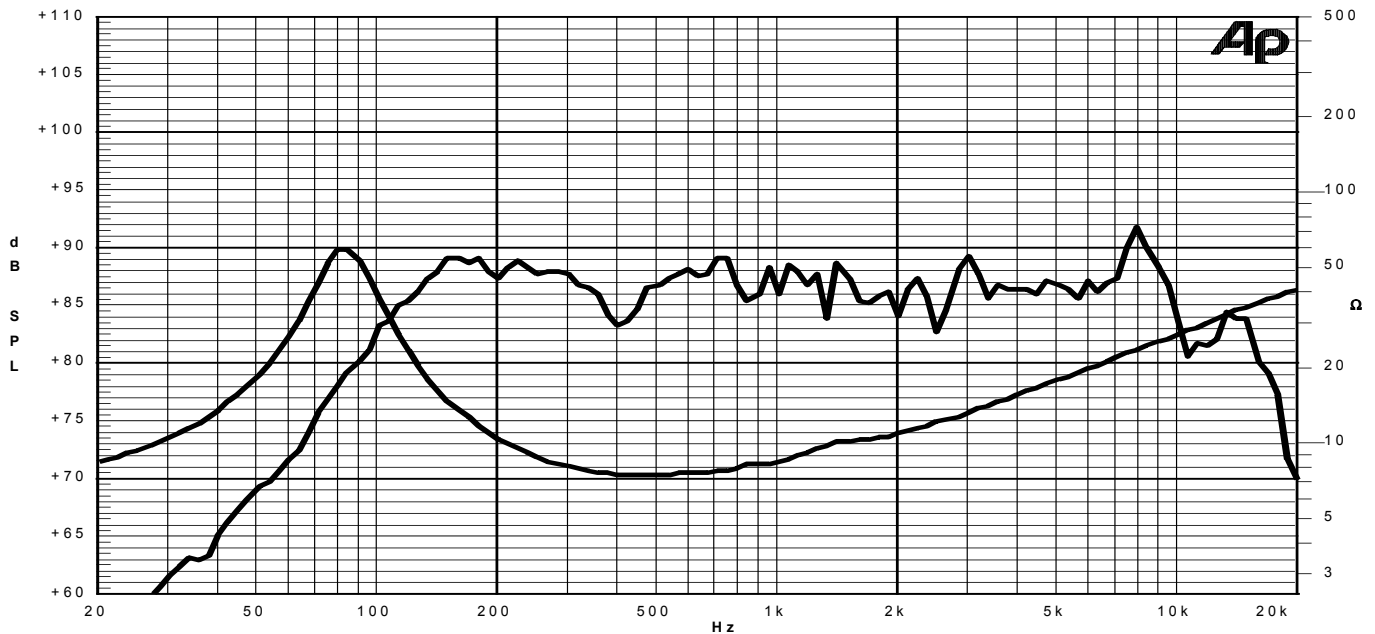
THIELE-SMALL PARAMETERS		
Voice Coil DC Resistance	R_E	6.20 Ω
Resonance Frequency	f_s	84.0 Hz
Mechanical Q Factor.....	Q_{MS}	3.43
Electrical Q Factor.....	Q_{ES}	0.39
Total Q Factor	Q_{TS}	0.35
Mechanical Moving Mass	M_{MS}	4.4 g
Mechanical Compliance	C_{MS}	804 μm/N
Force Factor	$B \times l$	6.17 Wb/m
Equivalent Acoustic Volume.....	V_{AS}	2.2 lt.
Maximum Linear Displacement	X_{MAX}	+/-1.5 mm
Reference Efficiency	η_0	0.32 %
Diaphragm Area	S_D	44.2 cm ²
Losses Electrical Resistance.....	R_{ES}	55.3 Ω
Voice Coil Inductance @ 1kHz	L_E	0.41 mH



CONSTRUCTIVE CHARACTERISTICS	
Magnet.....	Ferrite
Voice Coil Winding.....	Copper
Voice Coil Former.....	Epotex
Cone	GlassFiber
Surround.....	Rubber
Dust Dome	PolyPropylene
Basket	Pressed Sheet Steel

*rated power measured with 2 hours test with pink noise signal, 6 dB crest factor, loudspeaker mounted on enclosure

Frequency Response on IEC Baffle (DIN 45575) @ 1 W, 1 m - Impedance



Due to continuing product improvement, the features and the design are subject to change without notice.

15/03/05