

GENERAL CHARACTERISTICS

| | | |
|-----------------------------------|------|----|
| Nominal Overall Diameter | 104 | mm |
| Nominal Voice Coil Diameter | 25 | mm |
| Magnet Weight | 380 | g |
| Flux Density..... | 1.10 | T |
| Weight..... | 0.85 | Kg |

THIELE-SMALL PARAMETERS

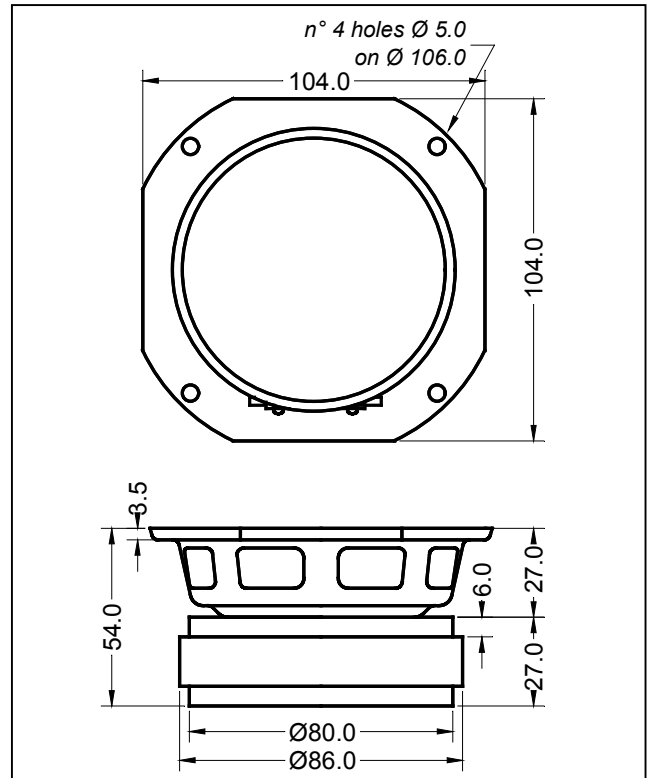
| | | | |
|------------------------------------|--------------|--------|-----------------|
| Voice Coil DC Resistance | R_E | 3.23 | Ω |
| Resonance Frequency | f_s | 128.0 | Hz |
| Mechanical Q Factor..... | Q_{MS} | 1.97 | |
| Electrical Q Factor..... | Q_{ES} | 0.50 | |
| Total Q Factor | Q_{TS} | 0.40 | |
| Mechanical Moving Mass | M_{MS} | 3.0 | g |
| Mechanical Compliance | C_{MS} | 510 | μm/N |
| Force Factor | $B \times l$ | 3.96 | Wb/m |
| Equivalent Acoustic Volume..... | V_{AS} | 1.4 | lt. |
| Maximum Linear Displacement | X_{MAX} | +/-1.3 | mm |
| Reference Efficiency | η_0 | 0.56 | % |
| Diaphragm Area | S_D | 44.2 | cm ² |
| Losses Electrical Resistance..... | R_{ES} | 12.7 | Ω |
| Voice Coil Inductance @ 1kHz | L_E | 0.08 | mH |

CONSTRUCTIVE CHARACTERISTICS

| | |
|-------------------------|---------------------|
| Magnet..... | Ferrite |
| Voice Coil Winding..... | Copper |
| Voice Coil Former..... | Aluminium |
| Cone | Paper |
| Surround..... | Treated Cloth |
| Dust Dome | Polypropylene Ogive |
| Basket | Pressed Sheet Steel |

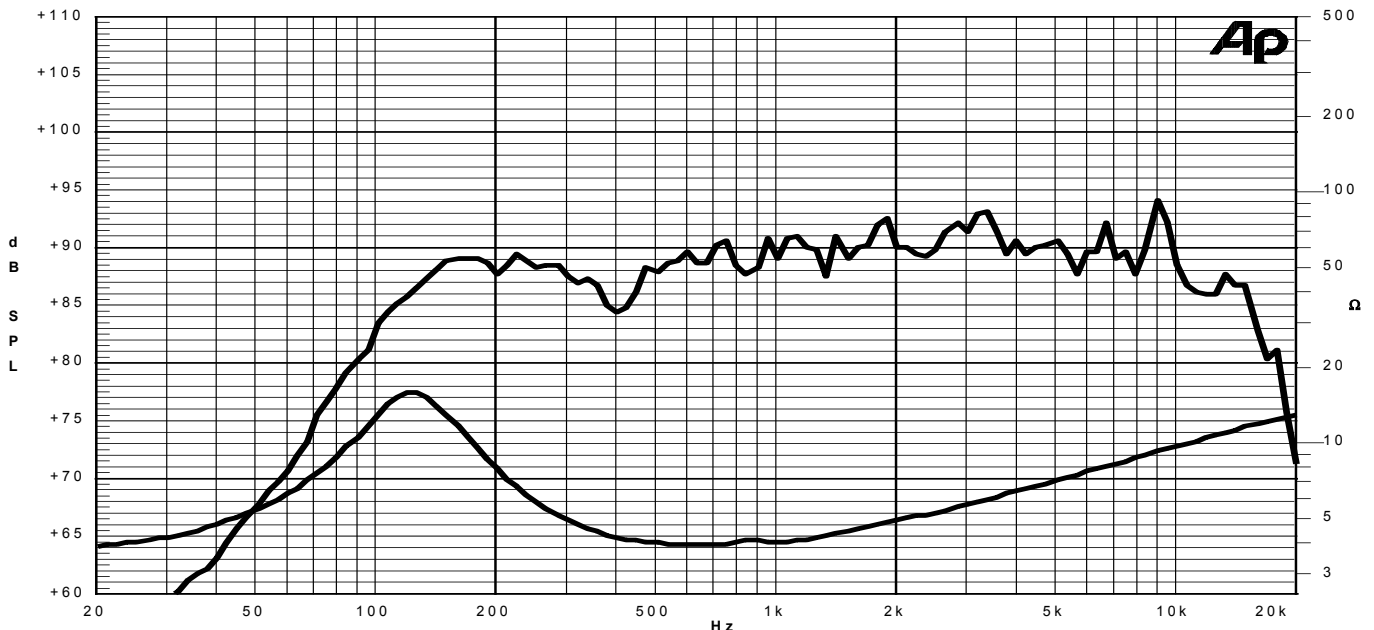
ELECTRICAL CHARACTERISTICS

| | | |
|------------------------------|------|----|
| Nominal Impedance..... | 4 | Ω |
| Musical Power | 120 | W |
| Rated Power* | 60 | W |
| Sensitivity @ 1 W, 1 m | 90.4 | dB |



*rated power measured with 2 hours test with pink noise signal, 6 dB crest factor, loudspeaker mounted on enclosure

Frequency Response on IEC Baffle (DIN 45575) @ 1 W, 1 m - Impedance



Due to continuing product improvement, the features and the design are subject to change without notice.

11/03/05