

4" - 90W Extended Range

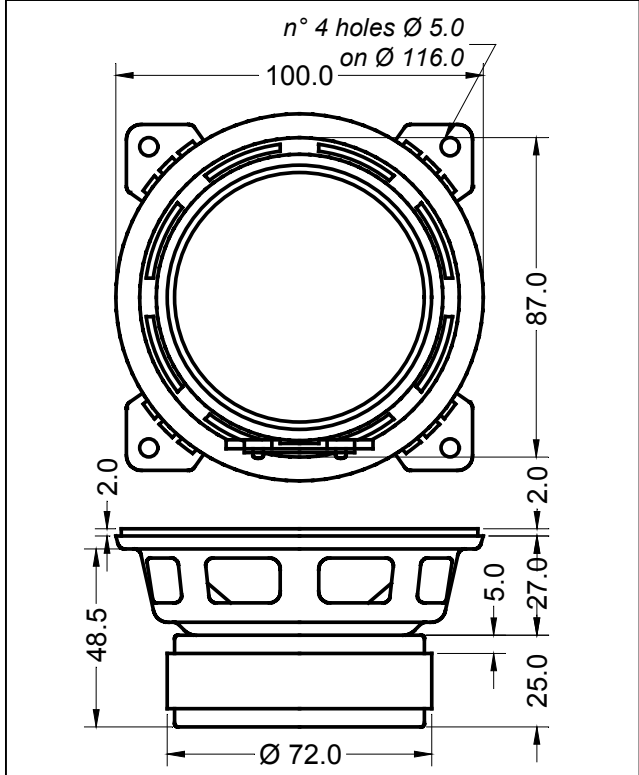
LP 102.25/ 245 WG 8 Ω

Code Z001320

GENERAL CHARACTERISTICS		
Nominal Overall Diameter	102	mm
Nominal Voice Coil Diameter	25	mm
Magnet Weight	245	g
Flux Density.....	1.05	T
Weight.....	0.62	Kg

ELECTRICAL CHARACTERISTICS		
Nominal Impedance.....	8	Ω
Musical Power	90	W
Rated Power*	45	W
Sensitivity @ 1 W, 1 m	86.0	dB

THIELE-SMALL PARAMETERS		
Voice Coil DC Resistance	R_E	6.00 Ω
Resonance Frequency	f_s	96.0 Hz
Mechanical Q Factor.....	Q_{MS}	3.91
Electrical Q Factor.....	Q_{ES}	0.77
Total Q Factor	Q_{TS}	0.65
Mechanical Moving Mass	M_{MS}	4.4 g
Mechanical Compliance	C_{MS}	622 μm/N
Force Factor	$B \times l$	4.55 Wb/m
Equivalent Acoustic Volume.....	V_{AS}	1.7 lt.
Maximum Linear Displacement	X_{MAX}	+/-2.0 mm
Reference Efficiency	η_0	0.19 %
Diaphragm Area	S_D	44.2 cm ²
Losses Electrical Resistance.....	R_{ES}	30.5 Ω
Voice Coil Inductance @ 1kHz	L_E	0.44 mH



CONSTRUCTIVE CHARACTERISTICS	
Magnet.....	Ferrite
Voice Coil Winding.....	Copper
Voice Coil Former.....	Epotex
Cone	Paper
Surround.....	Rubber
Dust Dome	Polypropylene Ogive
Basket	Pressed Sheet Steel

*rated power measured with 2 hours test with pink noise signal, 6 dB crest factor, loudspeaker mounted on enclosure

Frequency Response on IEC Baffle (DIN 45575) @ 1 W, 1 m - Impedance

