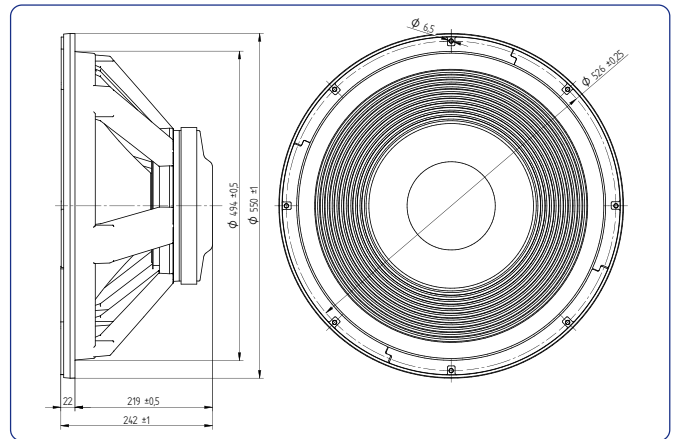


## KEY FEATURES

- High power handling: 1400 W<sub>AES</sub>
- Malt Cross® Cooling System
- Low power compression losses
- High sensitivity: 98,5 dB
- FEA optimized ferrite magnetic circuit
- Designed with MMSS technology for high control, linearity and low harmonic distortion
- Optimized nonlinear parameters
- Waterproof cone with treatment for both sides of the cone
- 4" DUO double layer inner/outer voice coil
- Aluminium demodulating ring
- Extended controlled displacement:  $X_{\max} \pm 10$  mm
- Massive mechanical displacement capability:  $X_{\text{damage}} \pm 55$  mm



## DIMENSION DRAWINGS



## TECHNICAL SPECIFICATIONS

Nominal diameter	540 mm	21 in
Rated impedance		8 Ω
Minimum impedance		5,4 Ω
Power capacity*	1.400 W <sub>AES</sub>	
Program power	2.800 W	
Sensitivity	98,5 dB @ 1W @ Z <sub>N</sub>	
Frequency range	25 - 1.800 Hz	
Recom. enclosure vol.	100 / 250 l	3,5 / 8,75 ft <sup>3</sup>
Voice coil diameter	100 mm	4 in
Magnetic assembly weight	14,4 kg	31,8 lb
BI factor		28,2 N/A
Moving mass	0,298 kg	
Voice coil length	25 mm	
Air gap height	12 mm	
X <sub>damage</sub> (peak to peak)	55 mm	

## THIELE-SMALL PARAMETERS\*\*

Resonant frequency, $f_s$	30 Hz
D.C. Voice coil resistance, $R_e$	5,2 Ω
Mechanical Quality Factor, $Q_{ms}$	7,44
Electrical Quality Factor, $Q_{es}$	0,36
Total Quality Factor, $Q_{ts}$	0,34
Equivalent Air Volume to $C_{ms}$ , $V_{as}$	401,5 l
Mechanical Compliance, $C_{ms}$	94 μm / N
Mechanical Resistance, $R_{ms}$	7,51 kg / s
Efficiency, $\eta_0$	2,83 %
Effective Surface Area, $S_d$	0,1734 m <sup>2</sup>
Maximum Displacement, $X_{\max}$ ***	10 mm
Displacement Volume, $V_d$	1.729 cm <sup>3</sup>
Voice Coil Inductance, $L_e$	1,3 mH

## MOUNTING INFORMATION

Overall diameter	550 mm	21,65 in
Bolt circle diameter	526 mm	20,71 in
Baffle cutout diameter:		
- Front mount	494 mm	19,45 in
- Rear mount	511 mm	20,12 in
Depth	242 mm	9,53 in
Volume displaced by driver	20 l	0,71 ft <sup>3</sup>
Net weight	19,9 kg	43,87 lb
Shipping weight	22,6 kg	50,0 lb

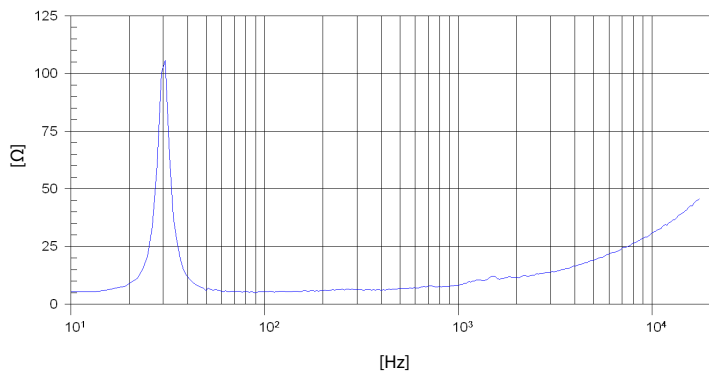
### Notes:

\* The power capacity is determined according to AES2-1984 (r2003) standard. Program power is defined as the transducer's ability to handle normal music program material.

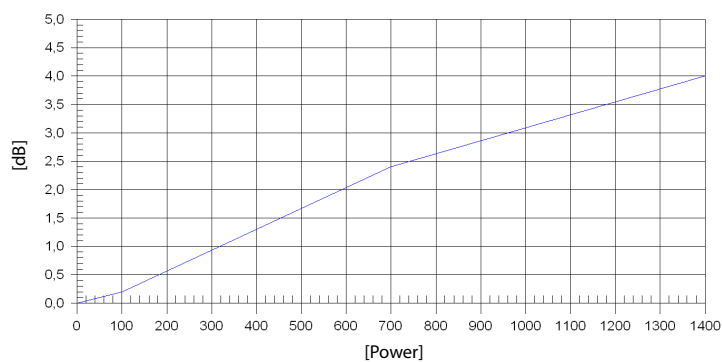
\*\* T-S parameters are measured after an exercise period using a preconditioning power test. The measurements are carried out with a velocity-current laser transducer and will reflect the long term parameters (once the loudspeaker has been working for a short period of time).

\*\*\* The  $X_{\max}$  is calculated as  $(L_{vc} - H_{ag})/2 + (H_{ag}/3,5)$ , where  $L_{vc}$  is the voice coil length and  $H_{ag}$  is the air gap height.

### FREE AIR IMPEDANCE CURVE

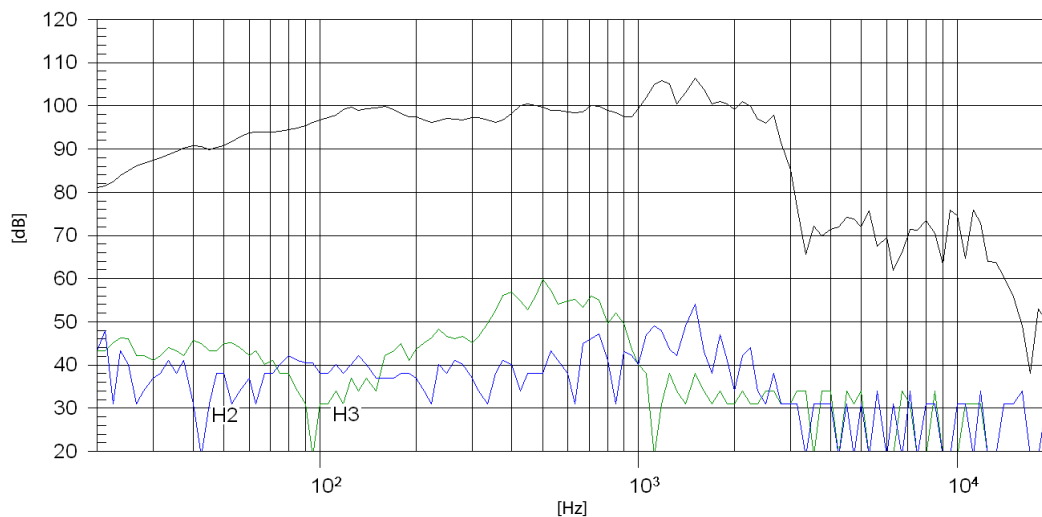


### POWER COMPRESSION LOSSES



**Note:** Power compression losses were calculated after 5 minutes period applying a pink noise signal filtered between 25 and 200 Hz.

### FREQUENCY RESPONSE AND DISTORTION



**Note:** On axis frequency response measured with loudspeaker standing on infinite baffle in anechoic chamber, 1W @ 1m