

KEY FEATURES

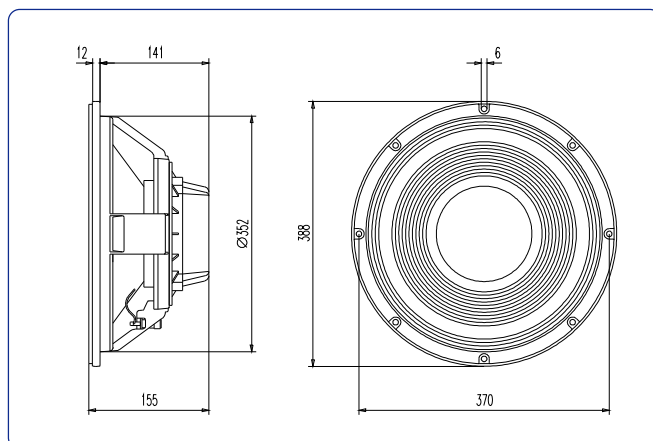
- 1200 W AES power handling
- Sensitivity: 97 dB @ 2.83V/1m
- Exclusive NCR membrane (Neck Coupling Reinforcement)
- CONEX Spider with Die Cast Aluminum Ring
- 4" duo technology voice coil
- Forced air convection circuit for low power compression
- Extended controlled displacement: $X_{max} \pm 9.5$ mm.
- Massive mechanical displacement capability: 52 mm p-p



TECHNICAL SPECIFICATIONS

Nominal diameter	380mm. 15 in.
Rated impedance	8 ohms
Minimum impedance	5.7 ohms
Power capacity*	1200 w AES
Program power	2400 w
Sensitivity	97 dB 2.83v @ 1m @ 2 π
Frequency range	25 - 1800 Hz
Recom. enclosure vol.	40 / 150 l 1.4 / 5.3 ft. ³
Voice coil diameter	100 mm. 4 in.
Magnetic assembly weight	6 kg. 13.2 lb.
BL factor	26.5 N / A
Moving mass	0.165 kg.
Voice coil length	25mm
Air gap height	14mm
X damage (peak to peak)	52 mm

DIMENSION DRAWINGS



THIELE-SMALL PARAMETERS**

Resonant frequency, f_s	42Hz
D.C. Voice coil resistance, R_e	5.2 ohms
Mechanical Quality Factor, Q_{ms}	14.2
Electrical Quality Factor, Q_{es}	0.32
Total Quality Factor, Q_{ts}	0.31
Equivalent Air Volume to C_{ms} , V_{as}	84.7 l
Mechanical Compliance, C_{ms}	83 μ m / N
Mechanical Resistance, R_{ms}	3.22 kg / s
Efficiency, η_0 (%)	1.88
Effective Surface Area, S_d (m ²)	0.0855 m ²
Maximum Displacement, X_{max}^{***}	9.5 mm
Displacement Volume, V_d	805cm ³
Voice Coil Inductance, L_e @ Z_{min}	2.7 mH

MOUNTING INFORMATION

Overall diameter	388 mm. 15.28 in.
Bolt circle diameter	370 mm. 14.57 in.
Baffle cutout diameter:	
- Front mount	352 mm. 13.86 in.
- Rear mount	355 mm. 13.98 in.
Depth	155 mm. 6.10 in.
Volume displaced by driver	7 l 0.25 ft. ³
Net weight	7.7 kg. 16.94 lb.
Shipping weight	8.7 kg. 19.14 lb.

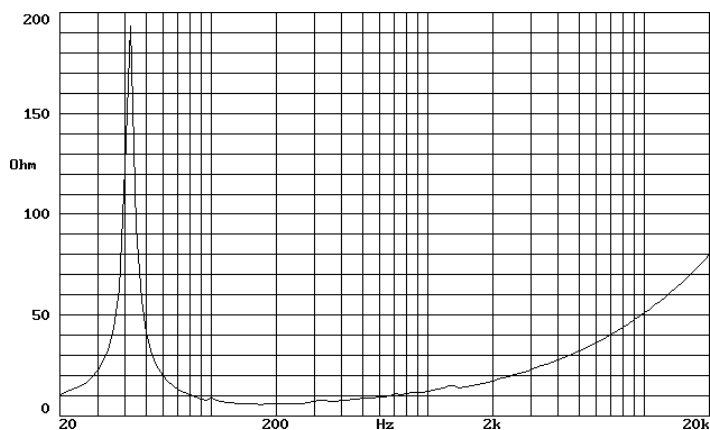
Notes:

*The power capacity is determined according to AES2-1984 (r2003) standard. Program power is defined as the transducer's ability to handle normal music program material.

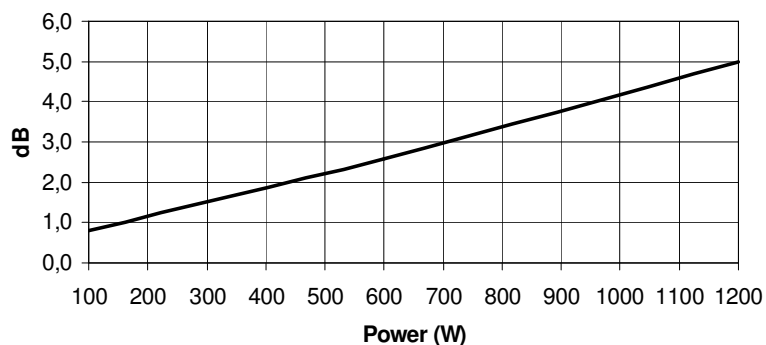
**T-S parameters are measured after an exercise period using a preconditioning power test. The measurements are carried out with a velocity-current laser transducer and will reflect the long term parameters (once the loudspeaker has been working for a short period of time).

***The X_{max} is calculated as $(L_{vc} - Hag)/2 + Hag/3.5$, where L_{vc} is the voice coil length and Hag is the air gap height.

FREE AIR IMPEDANCE CURVE

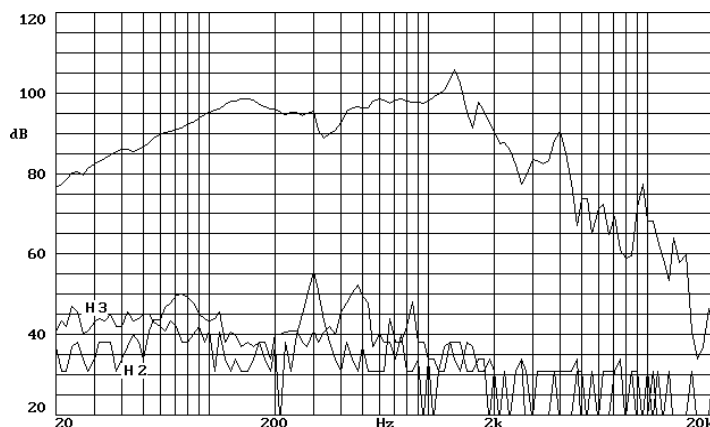


POWER COMPRESSION LOSSES



Note: Power Compression Losses were calculated after 5 minutes period applying a pink noise signal filtered between 50 and 500 Hz.

FREQUENCY RESPONSE AND DISTORTION



Note: on axis frequency response measured with loudspeaker standing on infinite baffle in anechoic chamber, 1w @ 1m.