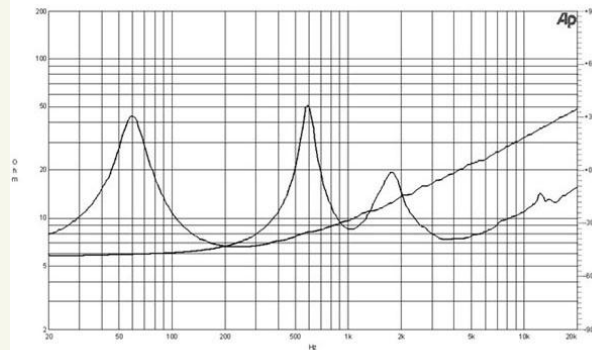
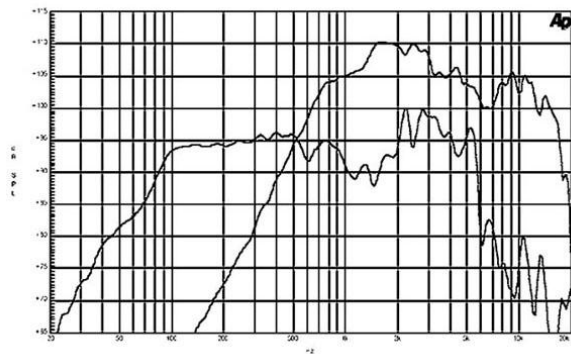




12NCX | Coaxials

400 W continuous program power capacity
 70° nominal coverage
 60 – 18000 Hz response
 96 dB sensitivity
 Single Neodymium magnet assembly
 XO-6 dedicated crossover network



LF Drivers | Coaxials | HF Drivers | Horns

Specifications

Nominal Diameter	320 mm (12 in)
Nominal Impedance	8 ohm
Minimum Impedance	6.6 ohm (LF) 7.3 ohm (HF)
Frequency Range	60 - 18000 Hz
Dispersion Angle	70°
LF Unit	
Sensitivity (1W/1m)	96 db
Nominal Power Handling	200 W
Continuous Power Handling	400 W
Voice Coil Diameter	65 mm (2.5 in)
Winding Material	Aluminium
HF Unit	
Sensitivity (1W/1m)	106 dB
Nominal Power Handling	50 W
Continuous Power Handling	100 W
Voice Coil Diameter	65 mm (2.5 in)
Winding Material	Aluminium
Diaphragm Material	Titanium
Recom. Crossover	1.2 kHz

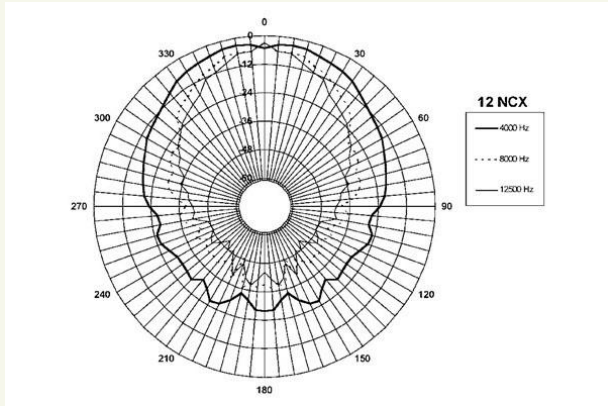
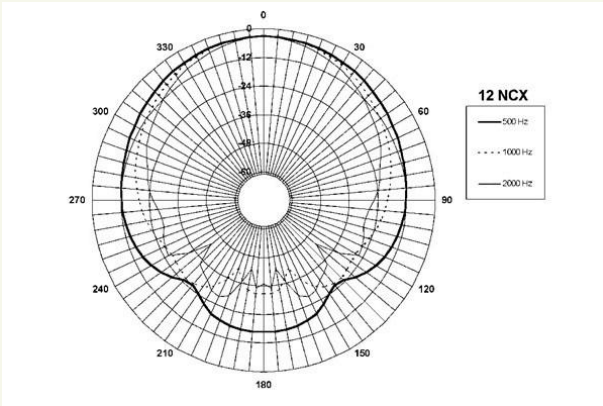
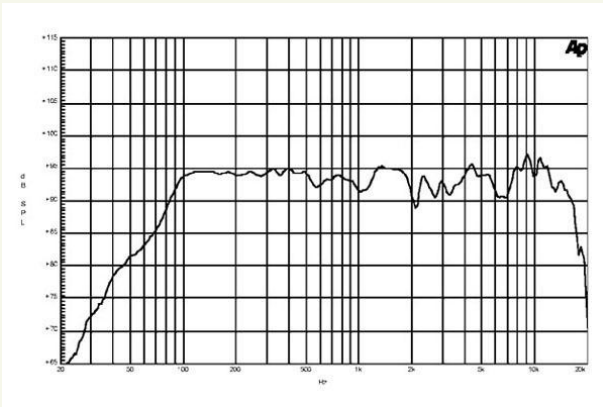
Parameters

Fs	59 Hz
Re	5.8 ohm
Qes	0.58
Qms	4.2
Qts	0.51
Vas	64 dm3 (2.3 ft3)
Sd	522 cm2 (80.9 in2)
Eta Zero	2.2 %
Xmax	+/- 3 mm
Xvar	+/- 6 mm
Mms	44 g
Bl	12.8 Txm
Le	1.2 mH

Mounting and Shipping Info

Overall Diameter	316 mm (12.4 in)
Bolt Circle Diameter	296 mm (11.6 in)
Baffle Cutout Diameter	284 mm (11.2 in)
Depth	167 mm (6.6 in)
Flange and Gasket Thickness	13 mm (0.5 in)
Net Weight	4.1 kg (9.0 lb)
Shipping Weight	5.0 kg (11.0 lb)
Shipping Box	380x380x240 mm (15x15x9.4 in)





Crossover

Model	XO-6
Filter Type	Two way
Nominal Impedance	8 Ohm
Crossover Frequency	1.5 kHz
Slope	12 dB/oct. (Low) 12 dB/oct. (High)
Overall Dimensions	117x105 mm (4.6x4.1 in)
Weight	0.5 kg (1.1 lb)

