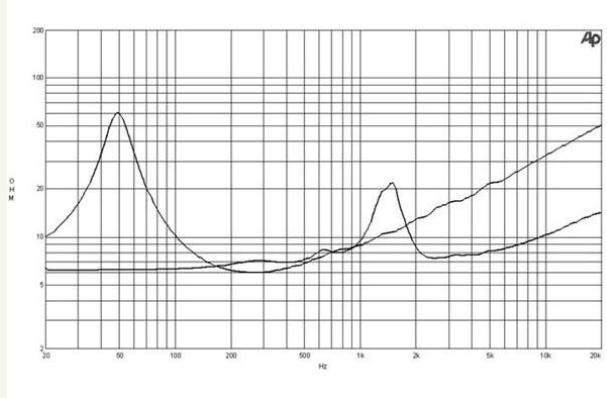
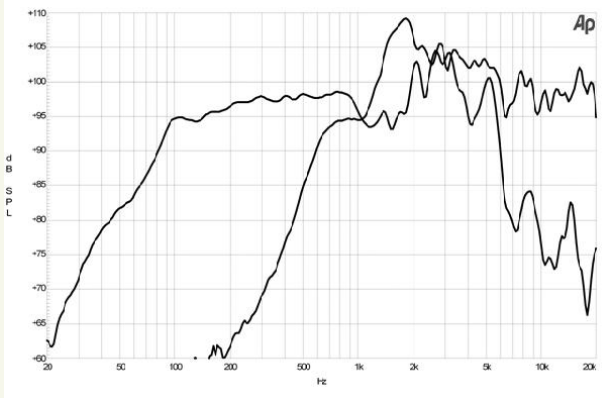




12CXT | Coaxials

400 W continuous program power capacity
 90° nominal coverage
 50 – 20000 Hz response
 98 dB sensitivity
 XO-2 dedicated crossover network



Horns
 HF Drivers
 Coaxials
 LF Nd Drivers
 LF Drivers

Specifications

| | |
|---------------------------|----------------|
| Nominal Diameter | 320 mm (12 in) |
| Nominal Impedance | 8 ohm |
| Minimum Impedance | 6 ohm (LF) |
| | 7.3 ohm (HF) |
| Frequency Range | 50 - 20000 Hz |
| Dispersion Angle | 90° |
| LF Unit | |
| Sensitivity (1W/1m) | 98 dB |
| Nominal Power Handling | 200 W |
| Continuous Power Handling | 400 W |
| Voice Coil Diameter | 51 mm (2 in) |
| Winding Material | Copper |
| HF Unit | |
| Sensitivity (1W/1m) | 102 dB |
| Nominal Power Handling | 25 W |
| Continuous Power Handling | 50 W |
| Voice Coil Diameter | 36 mm (1.4 in) |
| Winding Material | Aluminium |
| Diaphragm Material | Mylar |
| Recom. Crossover | 2.2 kHz |

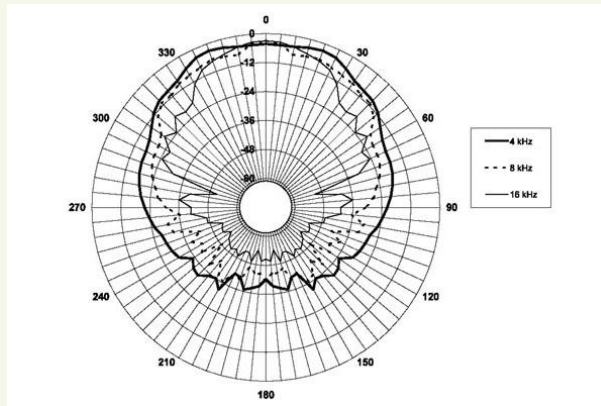
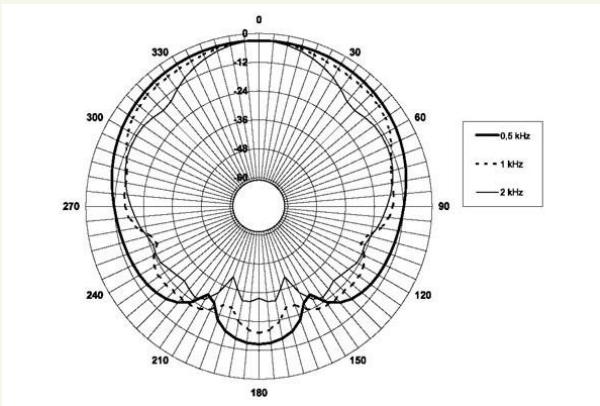
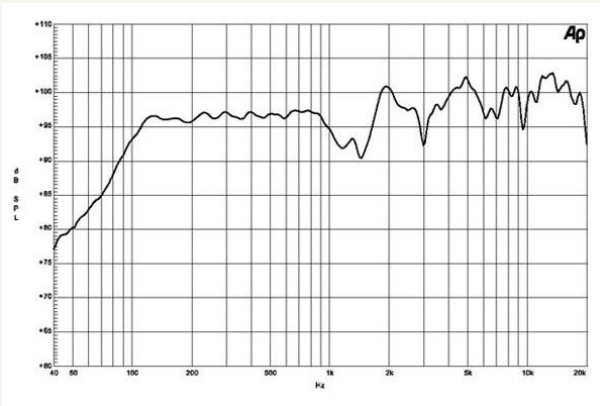
Parameters

| | |
|----------|--------------------|
| Fs | 49 Hz |
| Re | 5.3 ohm |
| Qes | 0.35 |
| Qms | 3.9 |
| Qts | 0.32 |
| Vas | 91 dm3 (3.2 ft3) |
| Sd | 522 cm2 (80.9 in2) |
| Eta Zero | 3.1 % |
| Xmax | +/- 3 mm |
| Xvar | +/- 5.5 mm |
| Mms | 43 g |
| Bl | 14.4 Txm |
| Le | 1.2 mH |

Mounting and Shipping Info

| | |
|-----------------------------|------------------------------------|
| Overall Diameter | 316 mm (12.4 in) |
| Bolt Circle Diameter | 296 mm (11.6 in) |
| Baffle Cutout Diameter | 284 mm (11.2 in) |
| Depth | 179 mm (7.05 in) |
| Flange and Gasket Thickness | 13 mm (0.5 in) |
| Net Weight | 5.6 kg (12.3 lb) |
| Shipping Weight | 6.8 kg (15 lb) |
| Shipping Box | 380x380x240 mm (15.2x15x9.4 in) |





Crossover

| | |
|---------------------|---|
| Model | XO-2 |
| Filter Type | Two way |
| Nominal Impedance | 8 Ohm |
| Crossover Frequency | 1.8 kHz |
| Slope | 6 dB/oct. (Low) 12 dB/oct. with eq. (High) |
| Overall Dimensions | 142x107 mm (5.6x4.2 in) |
| Weight | 0.4 kg (0.9 lb) |

