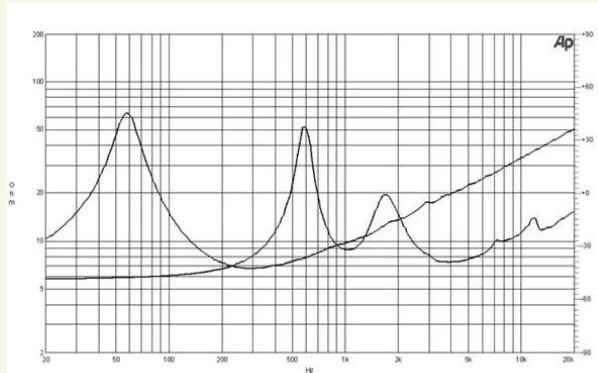
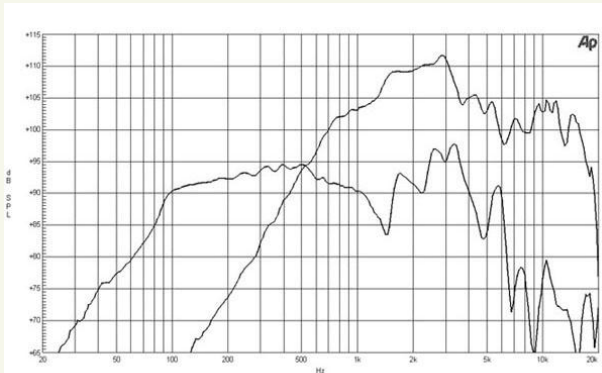




# 10NCX | Coaxials

400 W continuous program power capacity  
 70° nominal coverage  
 60 – 18000 Hz response  
 94 dB sensitivity  
 Single Neodymium magnet assembly  
 XO-5 dedicated crossover network



## Specifications

Nominal Diameter	250 mm (10 in)
Nominal Impedance	8 ohm
Minimum Impedance	6.8 ohm (LF)
	7.3 ohm (HF)
Frequency Range	60 - 18000 Hz
Dispersion Angle	70°
LF Unit	
Sensitivity (1W/1m)	94 db
Nominal Power Handling	200 W
Continuous Power Handling	400 W
Voice Coil Diameter	65 mm (2.5in)
Winding Material	Aluminium
HF Unit	
Sensitivity (1W/1m)	106 dB
Nominal Power Handling	50 W
Continuous Power Handling	100 W
Voice Coil Diameter	65 mm (2.5 in)
Winding Material	Aluminium
Diaphragm Material	Titanium
Recom. Crossover	1.2 kHz

## Parameters

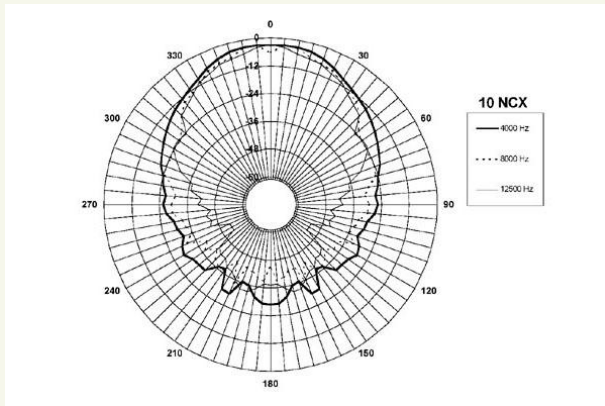
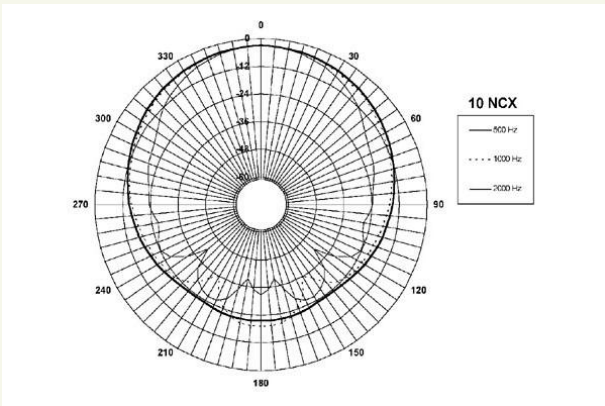
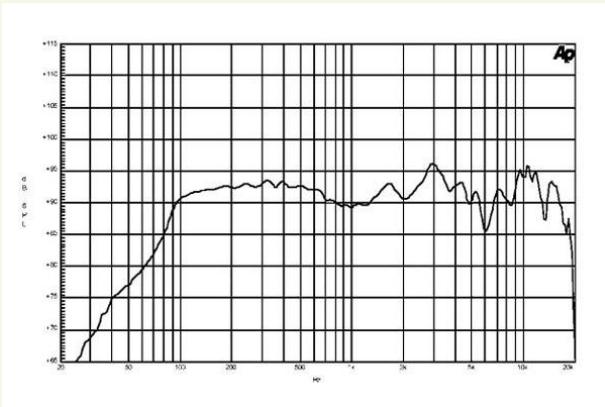
Fs	57 Hz
Re	5.6 ohm
Qes	0.35
Qms	3.7
Qts	0.32
Vas	40 dm3 (1.4 ft3)
Sd	320 cm2 (49.1 in2)
Eta Zero	2.0 %
Xmax	+/- 3 mm
Xvar	+/- 6 mm
Mms	28 g
Bl	12.7 Txm
Le	1.2 mH

## Mounting and Shipping Info

Overall Diameter	262 mm (10.3 in)
Bolt Circle Diameter	245 mm (9.6 in)
Baffle Cutout Diameter	230 mm (8.8 in)
Depth	144 mm (5.7 in)
Flange and Gasket Thickness	14 mm (0.55 in)
Net Weight	3.9 kg (8.6 lb)
Shipping Weight	4.6 kg (10.1 lb)
Shipping Box	320x320x160 mm (12x12x6.3 in)

Horns  
 HF Drivers  
 Coaxials  
 LF Nd Drivers  
 LF Drivers





## Crossover

Model	XO-5
Filter Type	Two way
Nominal Impedance	8 Ohm
Crossover Frequency	1.5 kHz
Slope	12 dB/oct. (Low) 12 dB/oct. (High)
Overall Dimensions	117x105 mm (4.6x4.1 in)
Weight	0.6 kg (1.3 lb)

